

Архангельск (8182)63-90-72  
 Астана (7172)727-132  
 Астрахань (8512)99-46-04  
 Барнаул (3852)73-04-60  
 Белгород (4722)40-23-64  
 Брянск (4832)59-03-52  
 Владивосток (423)249-28-31  
 Волгоград (844)278-03-48  
 Вологда (8172)26-41-59  
 Воронеж (473)204-51-73  
 Екатеринбург (343)384-55-89  
 Иваново (4932)77-34-06

Ижевск (3412)26-03-58  
 Иркутск (395)279-98-46  
 Казань (843)206-01-48  
 Калининград (4012)72-03-81  
 Калуга (4842)92-23-67  
 Кемерово (3842)65-04-62  
 Киров (8332)68-02-04  
 Краснодар (861)203-40-90  
 Красноярск (391)204-63-61  
 Курск (4712)77-13-04  
 Липецк (4742)52-20-81

Магнитогорск (3519)55-03-13  
 Москва (495)268-04-70  
 Мурманск (8152)59-64-93  
 Набережные Челны (8552)20-53-41  
 Нижний Новгород (831)429-08-12  
 Новокузнецк (3843)20-46-81  
 Новосибирск (383)227-86-73  
 Омск (3812)21-46-40  
 Орел (4862)44-53-42  
 Оренбург (3532)37-68-04  
 Пенза (8412)22-31-16

Пермь (342)205-81-47  
 Ростов-на-Дону (863)308-18-15  
 Рязань (4912)46-61-64  
 Самара (846)206-03-16  
 Санкт-Петербург (812)309-46-40  
 Саратов (845)249-38-78  
 Севастополь (8692)22-31-93  
 Симферополь (3652)67-13-56  
 Смоленск (4812)29-41-54  
 Сочи (862)225-72-31  
 Ставрополь (8652)20-65-13

Сургут (3462)77-98-35  
 Тверь (4822)63-31-35  
 Томск (3822)98-41-53  
 Тула (4872)74-02-29  
 Тюмень (3452)66-21-18  
 Ульяновск (8422)24-23-59  
 Уфа (347)229-48-12  
 Хабаровск (4212)92-98-04  
 Челябинск (351)202-03-61  
 Череповец (8202)49-02-64  
 Ярославль (4852)69-52-93

Киргизия (996)312-96-26-47

Россия (495)268-04-70

Казахстан (772)734-952-31

<https://mersen.nt-rt.ru/> || [mnh@nt-rt.ru](mailto:mnh@nt-rt.ru)

# Class T

300 & 600 Volt Fuse Blocks

## FUSE BLOCKS & HOLDERS

### 300 & 600V CLASS T FUSE BLOCKS



Mersen Class T fuse blocks accommodate Class T fuses up to 600A. Insulators are either durable, glass-filled polycarbonate (GFPC) or phenolic with verified dielectric strength in excess of 2500V. Mersen is the only manufacturer to offer Class T blocks with copper connectors.

#### RECOMMENDED FUSE USAGE:

- Class T Blocks (300V) use with A3T
- Class T Blocks (600V) use with A6T

#### CLIP & CONNECTOR TYPES

Spring Reinforced 30A & 60A Clips	Connectors for Spring Reinforced 30A & 60A Clips	Connectors	Connectors
300V - 30A 600V - 30A 	30A - 60A Box 	100A Box Side Clip 	400A Box 
300V - 60A 	30A - 60A Screw 	100A Box 	600A Box 
600V - 60A 	30A - 60A Pressure Plate 	200A Box 	

#### RATINGS:

- **Volts:** 300VAC/DC, 600VAC/DC
- **Amps:** 30A, 60A, 100A, 200A, 400A, 600A
- **SCCR:** 200kA

#### FEATURES/BENEFITS:

- Unique integral DIN-rail adapters for 600V, 30 & 60A blocks
- Full barrier design (30 & 60A) increases pole to pole safety
- Unique adder-block design (30 & 60A) for design flexibility
- Spring reinforcing standard for all 30 & 60A clips
- Features high conductivity copper alloy fuse clips
- Cool running high amperage (100 - 600A) connectors
- Copper connectors available 30 - 600A

**F  
B**

#### APPROVALS:

- All fuse blocks meet the requirements of UL 4248
- UL listed, guide IZLT, File E52283
- UL recognized component guide IZLT2, file E52283
- CSA certified class 6225, File 32169



300 VOLT, 30 & 60 AMPERE CLASS T FUSE BLOCKS

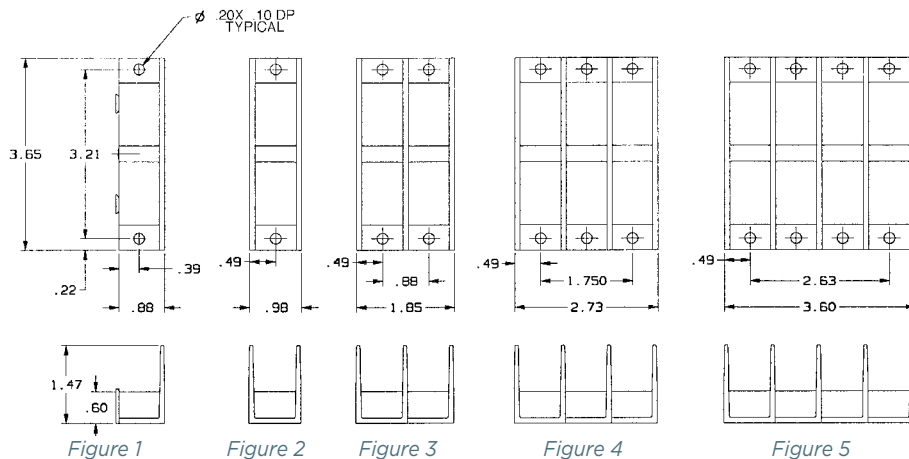
Ampere Rating	Poles	Connector Type	Wire Range	Catalog No. Spring Reinforced	Fig.	Connector Torque In - lb
30 GFPC Insulator	ADDER			30305T	1	
	1		Al/Cu	30306T	2	
	2	Box	#2-14	30307T	3	35
	3			30308T	4	
	4			30309T	5	
	ADDER			30315T	1	
	1		Cu	30316T	2	
	2	Screw	#10-14	30317T	3	20
	3			30318T	4	
	4			30319T	5	
	ADDER			30325T	1	
	1	Pressure	Cu	30326T	2	
	2	Plate	#10-14	30327T	3	20
	3			30328T	4	
	4			30329T	5	
	ADDER			30355T	1	
	1		Cu*	30356T	2	
	2	Box	#4-14	30357T	3	35
	3			30358T	4	
	4			30359T	5	
ADDER			30615T**	1		
1		Cu	30616T**	2		
2	Screw	#10-14	30617T**	3	20	
3			30618T**	4		
4			30619T**	5		
60 GFPC Insulator	ADDER			30605T	1	
	1		Al/Cu	30606T	2	
	2	Box	#2-14	30607T	3	45
	3			30608T	4	
	4			30609T	5	
	ADDER			30655T	1	
	1		Cu*	30656T	2	
	2	Box	#4-14	30657T	3	45
	3			30658T	4	
	4			30659T	5	

\* Fuse blocks have copper box connectors and clips and are for copper wires only. These are specifically designed with the same coefficient of expansion as copper wire for improved heat cycling and meet or exceed OEM "no aluminum" specifications.

\*\* UL Component Recognized

Recommended base mounting screws: #10 (.190" dia.)

DIMENSIONS



FB

300 VOLT, 100, 200, 400 & 600 AMPERE CLASS T FUSE BLOCKS

Ampere Rating	Poles	Connector		Catalog No.	Fig.	Connector Torque In - lb	
		Type	Wire Range			Connector	Fuse Bolt
100 Phenolic Insulator	1		Cu*	31001T	1		
	2	Box	2/0-#12	31002T	2	50	72
	3			31003T	3		
200 Phenolic Insulator	1	Box	Al/Cu	32031T	4	275	132
	3		350 kcmil-#6	32033T	5		
	1	Box	Cu*	32051T	4	275	132
	3		350 kcmil-#6	32053T	5		
400 Phenolic Insulator	1	Box	Al/Cu	34031T	6	600	228
	3		600 kcmil-#2	34033T	7		
	1	Box	Cu*	34051T	6	375	228
	3		600 kcmil-#2	34053T	7		
600 Phenolic Insulator	1	Box	Al/Cu	36031T	8	600	360
			(2) 600 kcmil-#2				
	1	Box	Cu*	36051T	8	375	360
			(2) 600 kcmil-#2				

† Note: Height includes nominal fuse blade thickness  
Recommended base mounting screws:  
100A & 200A, #10 (.190" dia.)  
400A & 600A, 1/4" (.250" dia.)

Note: \* Fuse blocks have copper box connectors and are for copper wires only. These are specifically designed with the same coefficient of expansion as copper wire for improved heat cycling and meet or exceed OEM "no aluminum" specifications.

DIMENSIONS

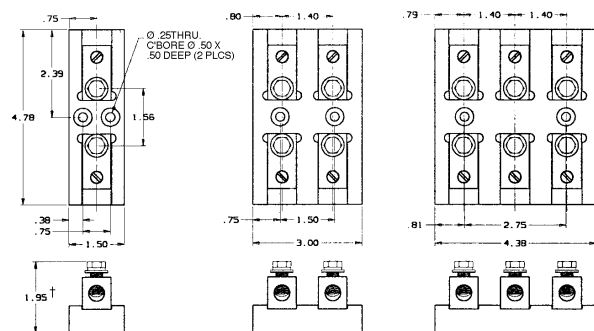


Figure 1

Figure 2

Figure 3

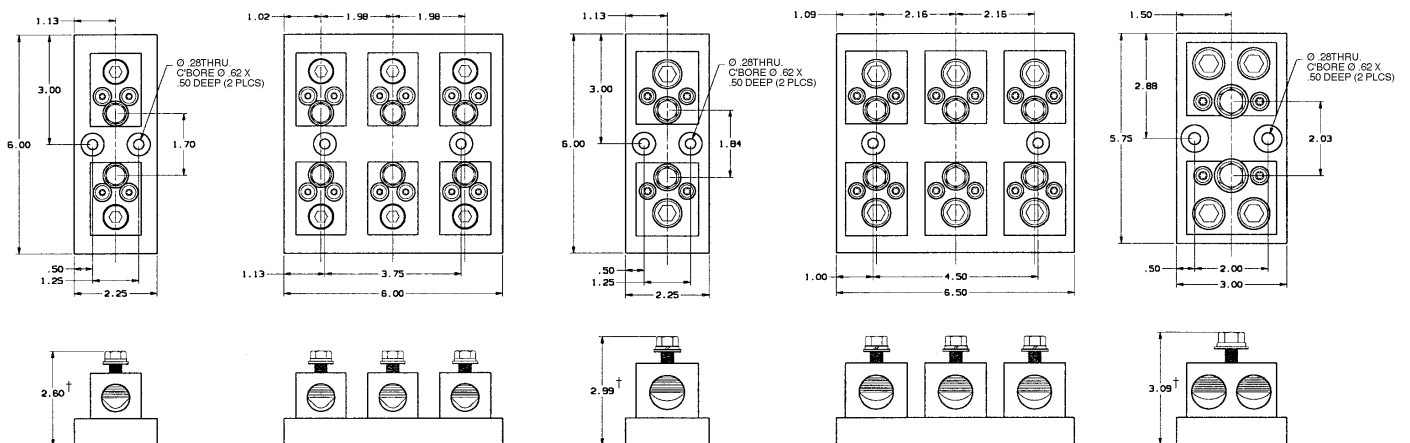


Figure 4

Figure 5

Figure 6

Figure 7

Figure 8

**600 VOLT, 30 & 60 AMPERE CLASS T FUSE BLOCKS**

Ampere Rating	Poles	Connector		Catalog No. Spring Reinforced	Fig.	Connector Torque In - lb
		Type	Wire Range			
30 GFPC Insulator	ADDER			60305T	1	
	1	Box	Al/Cu	60306T	2	
	2		#2-14	60307T	3	35
	3			60308T	4	
	ADDER			60315T	1	
	1	Screw	Cu	60316T	2	
	2		#10-14	60317T	3	20
	3			60318T	4	
	ADDER			60325T	1	
	1	Pressure	Cu	60326T	2	
	2	Plate	#10-14	60327T	3	20
	3			60328T	4	
	ADDER			60355T	1	
	1	Box	Cu*	60356T	2	
	2		#4-14	60357T	3	35
3			60358T	4		
60 GFPC Insulator	ADDER			60615T**	5	
	1	Screw	Cu	60616T**	6	
	2		#10-14	60617T**	7	20
	3			60618T**	8	
	ADDER			60605T	5	
	1	Box	Al/Cu	60606T	6	
	2		#2-14	60607T	7	45
	3			60608T	8	
	ADDER			60655T	5	
	1	Box	Cu*	60656T	6	
	2		#4-14	60657T	7	45
	3			60658T	8	

\* Fuse blocks have copper box connectors and clips and are for copper wires only. These are specifically designed with the same coefficient of expansion as copper wire for improved heat cycling and meet or exceed OEM "no aluminum" specifications.  
\*\* UL Component Recognized

Recommended mounting screws:  
30A, #10 (.190" dia.)  
60A, 1/4" (.250" dia.)

**DIMENSIONS**

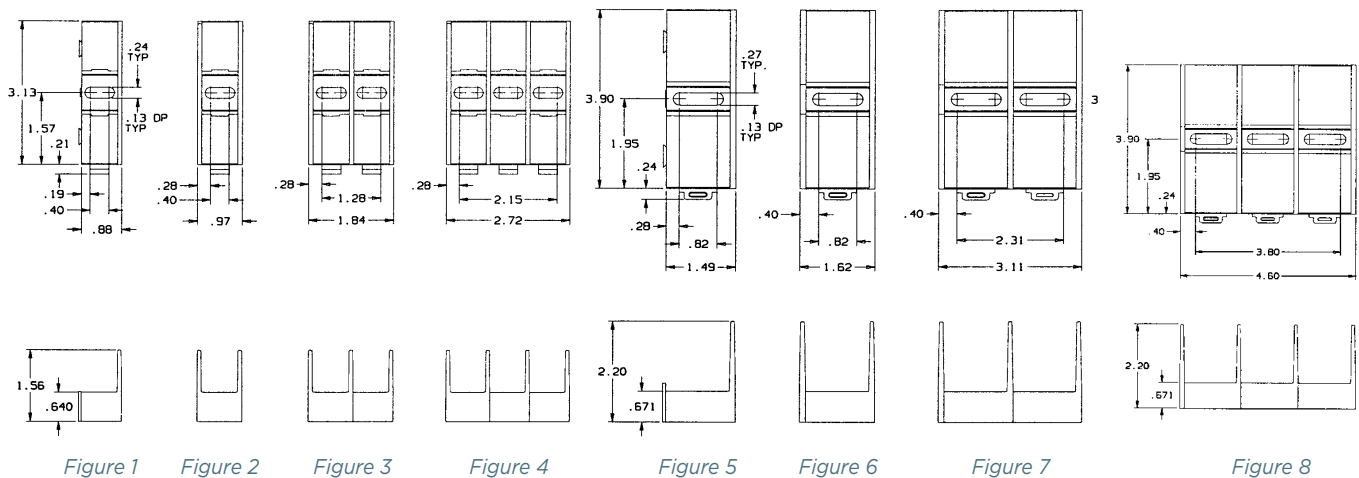


Figure 1

Figure 2

Figure 3

Figure 4

Figure 5

Figure 6

Figure 7

Figure 8

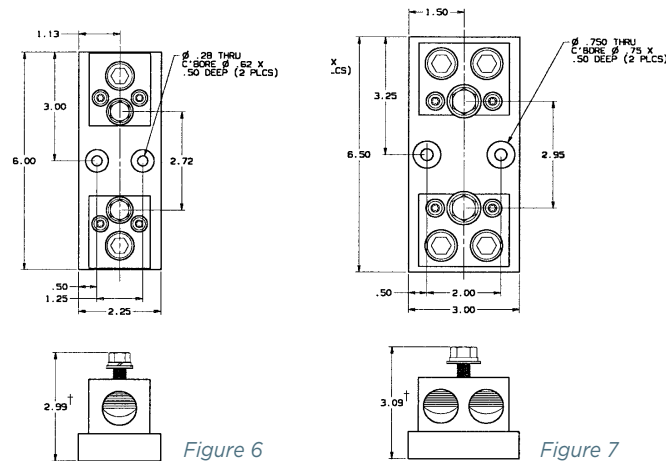
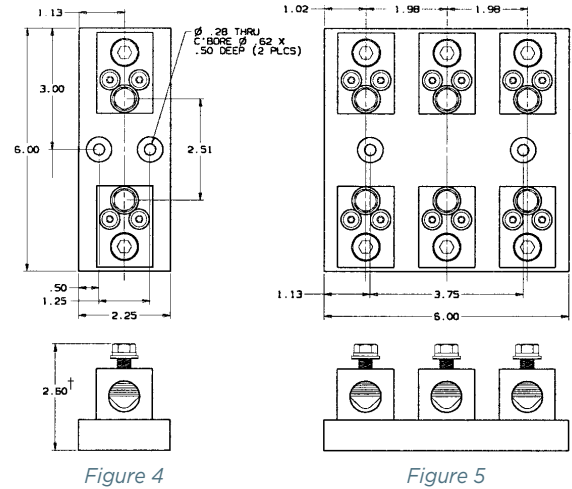
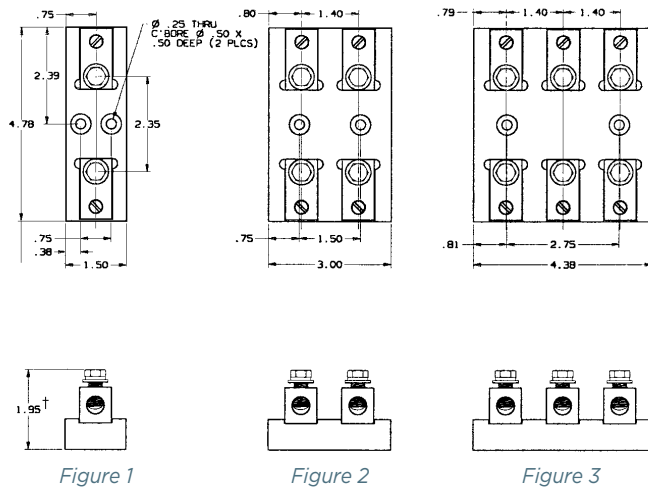
600 VOLT, 100, 200, 400 & 600 AMPERE CLASS T FUSE BLOCKS

Ampere Rating	Poles	Connector		Catalog No. Spring Reinforced	Fig.	Torque (In - Lbs)	
		Type	Wire Range			Connector	Fuse Bolt
100 Phenolic Insulator	1	BOX	Al/Cu 2/0-#6	61031T	1	120	72
	2			61032T	2		
	3			61033T	3		
	1	BOX	Cu* 2/0-#12	61051T	1	50	72
	2			61052T	2		
	3			61053T	3		
200 Phenolic Insulator	1	BOX	Al/Cu 350 kcmil-#6	62031T	4	275	132
	3			62033T	5		
	1			BOX	Cu* 350 kcmil-#6		
	3	62053T	5				
	1	BOX	Al/Cu 600 kcmil-#2			64031T	6
	400 Phenolic Insulator	1	BOX	Cu* 600 kcmil-#2	64051T	6	375
1		BOX	Al/Cu (2) 600 kcmil-#2	66031T	7	600	360
600 Phenolic Insulator	1	BOX	Cu* (2) 600 kcmil-#2	66051T	7	375	360

Note: Fuse blocks have copper box connectors and are for copper wires only. These are specifically designed with the same coefficient of expansion as copper wire for improved heat cycling and meet or exceed OEM "no aluminum" specifications.

Recommended base mounting screws:  
100A & 200A, #10 (.190" dia.)  
400A & 600A, 1/4" (.250" dia.)

DIMENSIONS



† Note: Height includes nominal fuse blade thickness

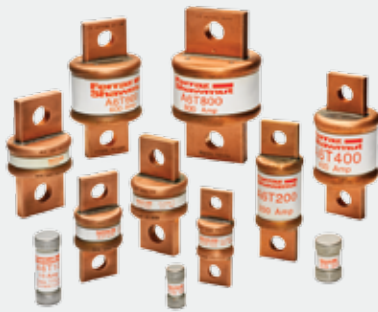
FB

# A3T & A6T

Fast Acting/Class T

UL/CSA LISTED POWER FUSES

THESE SMALL DIMENSION FUSES ARE  
THE RIGHT FIT... FOR A TIGHT FIT



Fast-acting A3T and A6T Class T fuses combine two highly desirable features - high current limitation and a small physical size. Their unique dimensions prevent the substitution of other fuses with lower voltage ratings or current-limiting capability.

These fuses have glass melamine bodies for superior dimensional stability and catalog numbers stamped into the blades for permanent identification.

## FEATURES/BENEFITS:

- Extremely current-limiting for low peak let-thru current
- Unique dimensions prevent replacement by other fuse classes
- Blade-stamped catalog numbers for permanent identification
- Small physical size for greater design flexibility

## RATINGS:

### A3T

- **Volts:** 300VAC / 160VDC
- **Amps:** 1 to 1200A
- **IR:** 200kA I.R. AC, 50kA I.R. DC

### A6T

- **Volts:** 600VAC / 300VDC
- **Amps:** 1 to 800A
- **IR:** 200kA I.R. AC, 100kA I.R. DC

## HIGHLIGHTS:

- Fast-acting
- Extremely current-limiting
- Small physical size
- DC ratings

## APPLICATIONS:

- Loadcenters
- Panelboards
- Switchboards
- Circuit breakers
- Metering centers

## APPROVALS:

- UL listed to standard 248-15 File E2137
- CSA certified to standard C22.2 no. 248.15
- DC listed to UL standard 248



# CATALOG NUMBERS (AMPS)

300V			600V		
A3T1	A3T60	A3T300	A6T1	A6T60	A6T300
A3T3	A3T70	A3T350	A6T3	A6T70	A6T350
A3T6	A3T80	A3T400	A6T6	A6T80	A6T400
A3T10	A3T90	A3T450	A6T10	A6T90	A6T450
A3T15	A3T100	A3T500	A6T15	A6T100	A6T500
A3T20	A3T110	A3T600	A6T20	A6T110	A6T600
A3T25	A3T125	A3T700	A6T25	A6T125	A6T700
A3T30	A3T150	A3T800	A6T30	A6T150	A6T800
A3T35	A3T175	A3T1000	A6T35	A6T175	
A3T40	A3T200	A3T1200	A6T40	A6T200	
A3T45	A3T225		A6T45	A6T225	
A3T50	A3T250		A6T50	A6T250	

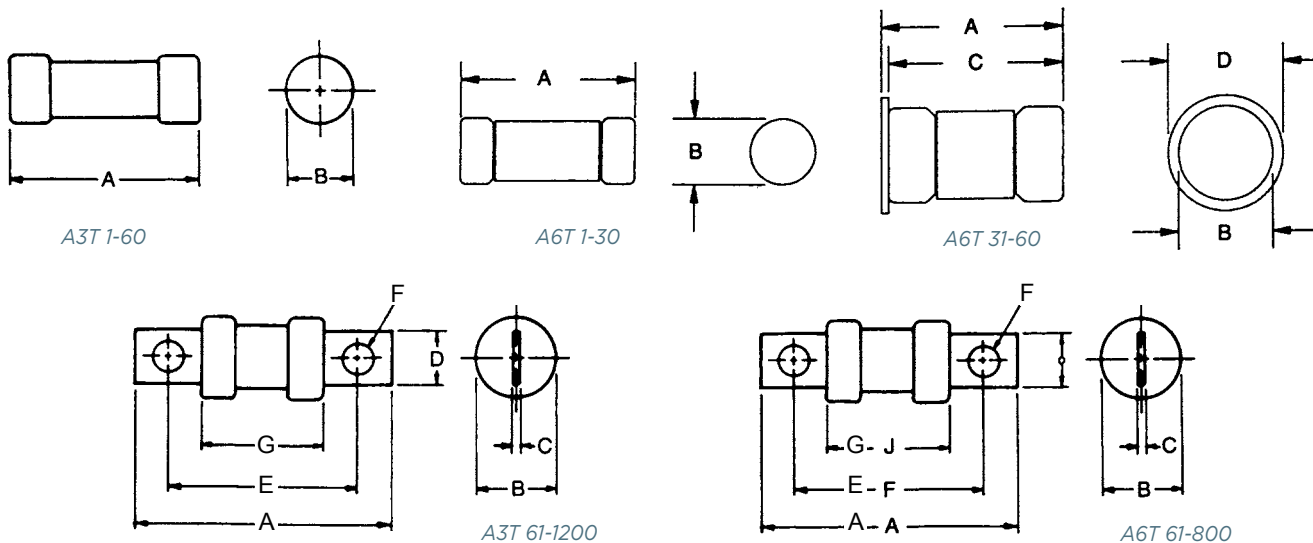
# RECOMMENDED FUSE BLOCKS WITH BOX CONNECTORS FOR AMP-TRAP® CLASS T FUSES

Ampere Rating	Catalog Number			
	300V		600V	
	1-Pole	3-Pole	1-Pole	3-Pole
1-30	30306T	30308T	60306T	60308T
31-60	30606T	30608T	60606T	60608T
61-100	31001T	31003T	61031T	61033T
101-200	32031T	32033T	62031T	62033T
201-400	34031T	34033T	64031T	—
401-600	36031T	—	66031T	—

A variety of pole configurations and termination provisions are available. Refer to Section FB for details.

## DIMENSIONS

Ampere Rating	A		B		C		D		E		F		G	
	in	mm	in	mm	in	mm	in	mm	in	mm	in	mm	in	mm
300V-A3T Fuses														
1-30	.88	22.4	.41	10.3	-	-	-	-	-	-	-	-	-	-
31-60	.88	22.4	.56	14.1	-	-	-	-	-	-	-	-	-	-
61-100	2.16	54.9	.81	20.6	.12	3.2	.75	19.0	1.56	39.6	.28	7.1	.82	20.8
101-200	2.44	62.0	1.06	26.9	.19	4.8	.88	22.4	1.70	43.2	.34	8.6	.83	21.1
201-400	2.75	69.8	1.33	33.8	.25	6.4	1.00	25.4	1.84	46.7	.41	10.4	.84	21.3
401-600	3.06	77.7	1.62	41.1	.31	7.8	1.25	31.8	2.03	51.6	.48	12.2	.84	21.3
601-800	3.38	85.8	2.08	52.8	.38	9.7	1.75	44.4	2.22	56.4	.55	14.0	.88	22.4
801-1200	4.00	102	2.52	64.0	.44	11.2	2.00	50.8	2.53	64.3	.61	15.5	1.03	26.2
600V-A6T Fuses														
1-30	1.50	38.1	.57	14.5	-	-	-	-	-	-	-	-	-	-
31-60	1.57	39.9	.81	20.6	1.51	38.4	1.00	25.4	-	-	-	-	-	-
61-100	2.95	75.0	.82	20.8	.12	3.2	.75	19.0	2.35	59.7	.28	7.1	1.58	40.1
101-200	3.26	82.8	1.07	27.2	.19	4.8	.88	22.4	2.51	63.7	.34	8.6	1.61	41.0
201-400	3.62	92.1	1.62	41.3	.25	6.4	1.00	25.4	2.72	69.1	.41	10.4	1.70	43.2
401-600	3.98	101.2	2.06	52.4	.31	7.9	1.25	31.8	2.95	75.0	.48	12.2	1.70	43.2
601-800	4.33	110.0	2.50	63.5	.37	9.5	1.75	44.4	3.17	80.5	.56	14.1	1.70	43.2



Архангельск (8182)63-90-72  
 Астана (7172)727-132  
 Астрахань (8512)99-46-04  
 Барнаул (3852)73-04-60  
 Белгород (4722)40-23-64  
 Брянск (4832)59-03-52  
 Владивосток (423)249-28-31  
 Волгоград (844)278-03-48  
 Вологда (8172)26-41-59  
 Воронеж (473)204-51-73  
 Екатеринбург (343)384-55-89  
 Иваново (4932)77-34-06

Ижевск (3412)26-03-58  
 Иркутск (395)279-98-46  
 Казань (843)206-01-48  
 Калининград (4012)72-03-81  
 Калуга (4842)92-23-67  
 Кемерово (3842)65-04-62  
 Киров (8332)68-02-04  
 Краснодар (861)203-40-90  
 Красноярск (391)204-63-61  
 Курск (4712)77-13-04  
 Липецк (4742)52-20-81

Магнитогорск (3519)55-03-13  
 Москва (495)268-04-70  
 Мурманск (8152)59-64-93  
 Набережные Челны (8552)20-53-41  
 Нижний Новгород (831)429-08-12  
 Новокузнецк (3843)20-46-81  
 Новосибирск (383)227-86-73  
 Омск (3812)21-46-40  
 Орел (4862)44-53-42  
 Оренбург (3532)37-68-04  
 Пенза (8412)22-31-16

Пермь (342)205-81-47  
 Ростов-на-Дону (863)308-18-15  
 Рязань (4912)46-61-64  
 Самара (846)206-03-16  
 Санкт-Петербург (812)309-46-40  
 Саратов (845)249-38-78  
 Севастополь (8692)22-31-93  
 Симферополь (3652)67-13-56  
 Смоленск (4812)29-41-54  
 Сочи (862)225-72-31  
 Ставрополь (8652)20-65-13

Сургут (3462)77-98-35  
 Тверь (4822)63-31-35  
 Томск (3822)98-41-53  
 Тула (4872)74-02-29  
 Тюмень (3452)66-21-18  
 Ульяновск (8422)24-23-59  
 Уфа (347)229-48-12  
 Хабаровск (4212)92-98-04  
 Челябинск (351)202-03-61  
 Череповец (8202)49-02-64  
 Ярославль (4852)69-52-93

Киргизия (996)312-96-26-47

Россия (495)268-04-70

Казахстан (772)734-952-31