

GGX

- Glass body
- Fast-acting
- 1/4" x 1"



1/2A through 2 1/2A, 250VAC,
UL Listed

3A through 7A, 125V AC, UL Recognized

8A through 30A, 32V AC, UL Recognized

GAB

- Ceramic body
- Fast-acting
- 1/4" x 1-1/4"



1/8A through 15A, 250VAC,
UL Listed and CSA Certified

20A through 30A, 250/125VAC,

UL Recognized



STANDARD FUSE
AMPERE RATINGS

Catalog Number	Ampere Rating	Volts	I.R.
GGX1/2	1/2A	250V	1
GGX3/4	3/4A	250V	1
GGX1	1A	250V	1
GGX1-1/2	1-1/2A	250V	2
GGX2	2A	250V	2
GGX2-1/2	2-1/2A	250V	3
GGX3	3A	125V	3
GGX4	4A	125V	3
GGX5	5A	125V	3
GGX6	6A	125V	3
GGX7	7A	125V	3
GGX8	8A	32V	4
GGX10	10A	32V	4
GGX12	12A	32V	4
GGX15	15A	32V	4
GGX20	20A	32V	4
GGX25	25A	32V	4
GGX30	30A	32V	4

1. 250VAC @ 35A I.R./125VAC @ 10kA I.R.
2. 250VAC @ 100A I.R./125VAC @ 10kA I.R.
3. 125VAC @ 10kA I.R.
4. 32VAC

STANDARD FUSE
AMPERE RATINGS

Catalog Number	Ampere Rating	Volts	I.R.
GAB1/8	1/8A	250V	1
GAB1/4	1/4A	250V	1
GAB3/8	3/8A	250V	1
GAB1/2	1/2A	250V	1
GAB3/4	3/4A	250V	1
GAB1	1A	250V	1
GAB2	2A	250V	2
GAB2-1/2	2-1/2A	250V	2
GAB3	3A	250V	2
GAB4	4A	250V	3
GAB5	5A	250V	3
GAB6	6A	250V	3
GAB7	7A	250V	3
GAB8	8A	250V	3
GAB10	10A	250V	3
GAB12	12A	250V	4
GAB15	15A	250V	4
GAB20	20A	250V	5
GAB25	25A	125V	6
GAB30	30A	125V	6

1. 250VAC @ 35A I.R./125VAC @ 10kA I.R.
2. 250VAC @ 100A I.R./125VAC @ 10kA I.R.
3. 250VAC @ 200A I.R./125VAC @ 10kA I.R.
4. 250VAC @ 750A I.R./125VAC @ 10kA I.R.
5. 250V/125VAC @ 400A I.R.
6. 125VAC @ 400kA I.R.

Архангельск (8182)63-90-72
Астана (7172)727-132
Астрахань (8512)99-46-04
Барнаул (3852)73-04-60
Белгород (4722)40-23-64
Брянск (4832)59-03-52
Владивосток (423)249-28-31
Волгоград (844)278-03-48
Вологда (8172)26-41-59
Воронеж (473)204-51-73
Екатеринбург (343)384-55-89
Иваново (4932)77-34-06

Ижевск (3412)26-03-58
Иркутск (395)279-98-46
Казань (843)206-01-48
Калининград (4012)72-03-81
Калуга (4842)92-23-67
Кемерово (3842)65-04-62
Киров (8332)68-02-04
Краснодар (861)203-40-90
Красноярск (391)204-63-61
Курск (4712)77-13-04
Липецк (4742)52-20-81

Магнитогорск (3519)55-03-13
Москва (495)268-04-70
Мурманск (8152)59-64-93
Набережные Челны (8552)20-53-41
Нижний Новгород (831)429-08-12
Новокузнецк (3843)20-46-81
Новосибирск (383)227-86-73
Омск (3812)21-46-40
Орел (4862)44-53-42
Орэнбург (3532)37-68-04
Пенза (8412)22-31-16

Пермь (342)205-81-47
Ростов-на-Дону (863)308-18-15
Рязань (4912)46-61-64
Самара (846)206-03-16
Санкт-Петербург (812)309-46-40
Саратов (845)249-38-78
Севастополь (8692)22-31-93
Симферополь (3652)67-13-56
Смоленск (4812)29-41-54
Сочи (862)225-72-31
Ставрополь (8652)20-65-13

Сургут (3462)77-98-35
Тверь (4822)63-31-35
Томск (3822)98-41-53
Тула (4872)74-02-29
Тюмень (3452)66-21-18
Ульяновск (8422)24-23-59
Уфа (347)229-48-12
Хабаровск (4212)92-98-04
Челябинск (351)202-03-61
Череповец (8202)49-02-64
Ярославль (4852)69-52-93

Киргизия (996)312-96-26-47

Россия (495)268-04-70

Казахстан (772)734-952-31

GSB/GSB-V

- Glass body
- Fast-acting
- 5 mm x 20 mm
- 1-1/2" Axial leads optional

1/16A through 10A,
250VAC, UL and CSA
Recognized

1/16A through
6-3/10A, 250VAC, SEMKO Approved

1/16A through 6-3/10A, 250VAC, VDE Approved

IEC-127-2 Standard Sheet 2* 



GDG/GDG-V

- Glass body
- Time-delay
- 5 mm x 20 mm
- 1-1/2" Axial leads optional

1/16A through 10A,
250VAC, UL & CSA
Recognized

1/16A through
6-3/10A, 250VAC, SEMKO Approved

1/16A through 6-3/10A, 250VAC, VDE Approved

IEC 127-2 Standard Sheet 3* 



M
F

**STANDARD FUSE
AMPERE RATINGS**

Catalog Number	Axial Lead Cat. No	Ampere Rating	Volts	I.R.
GSB1/16	GSB-V1/16	1/16A	250V	1
GSB8/100	GSB-V8/100	8/100A	250V	1
GSB1/10	GSB-V1/10	1/10A	250V	1
GSB1/8	GSB-V1/8	1/8A	250V	1
GSB16/100	GSB-V16/100	16/100A	250V	1
GSB2/10	GSB-V2/10	2/10A	250V	1
GSB1/4	GSB-V1/4	1/4A	250V	1
GSB315/1000	GSB-V315/1000	315/1000A	250V	1
GSB4/10	GSB-V4/10	4/10A	250V	1
GSB1/2	GSB-V1/2	1/2A	250V	1
GSB630/1000	GSB-V630/1000	630/1000A	250V	1
GSB8/10	GSB0-V8/10	8/10A	250V	1
GSB1	GSB-V1	1A	250V	1
GSB1-1/4	GSB-V1-1/4	1-1/4A	250V	1
GSB1-6/10	GSB-V1-6/10	1-6/10A	250V	1
GSB2	GSB-V2	2A	250V	1
GSB2-1/2	GSB-V2-1/2	2-1/2A	250V	1
GSB3-15/100	GSB-V3-15/100	3-15/100A	250V	1
GSB4	GSB-V4	4A	250V	2
GSB5	GSB-V5	5A	250V	3
GSB6-3/10	GSB-V6-3/10	6-3/10A	250V	4
GSB8	GSB-V8	8A	250V	5
GSB10	GSB-V10	10A	250V	6

1. 250VAC @ 35A I.R.
2. 250VAC @ 40A I.R.
3. 250VAC @ 50A I.R.
4. 250VAC @ 63A I.R.
5. 250VAC @ 80A I.R.
6. 250VAC @ 100A I.R.

*IEC Standards for 5x20 mm fuses do not include ratings above 6.3 amperes.

**STANDARD FUSE
AMPERE RATINGS**

Catalog Number	Axial Lead Cat. No	Ampere Rating	Volts	I.R.
GDG1/16	GDG-V1/16	1/16A	250V	1
GDG8/100	GDG-V8/100	8/100A	250V	1
GDG1/10	GDG-V1/10	1/10A	250V	1
GDG1/8	GDG-V1/8	1/8A	250V	1
GDG16/100	GDG-V16/100	16/100A	250V	1
GDG2/10	GDG-V2/10	2/10A	250V	1
GDG1/4	GDG-V1/4	1/4A	250V	1
GDG315/1000	GDG-V315/1000	315/1000A	250V	1
GDG4/10	GDG-V4/10	4/10A	250V	1
GDG1/2	GDG-V1/2	1/2A	250V	1
GDG630/1000	GDG-V630/1000	630/1000A	250V	1
GDG8/10	GDG-V8/10	8/10A	250V	1
GDG1	GDG-V1	1A	250V	1
GDG1-1/4	GDG-V1-1/4	1-1/4A	250V	1
GDG1-6/10	GDG-V1-6/10	1-6/10A	250V	1
GDG2	GDG-V2	2A	250V	1
GDG2-1/2	GDG-V2-1/2	2-1/2A	250V	1
GDG3-15/100	GDG-V3-15/100	3-15/100A	250V	1
GDG4	GDG-V4	4A	250V	2
GDG5	GDG-V5	5A	250V	3
GDG6-3/10	GDG-V6-3/10	6-3/10A	250V	4
GDG8	GDG-V8	8A	250V	5
GDG10	GDG-V10	10A	250V	6

1. 250VAC @ 35A I.R.
2. 250VAC @ 40A I.R.
3. 250VAC @ 50A I.R.
4. 250VAC @ 63A I.R.
5. 250VAC @ 80A I.R.
6. 250VAC @ 100A I.R.

*IEC Standards for 5x20 mm fuses do not include ratings above 6.3 amperes.

GDL/GDL-V

- Glass body
- Time-delay
- 1/4" x 1-1/4"
- 1-1/2" Axial leads optional



1/16A through 8A, 250VAC,
UL Listed and CSA Certified

10A through 15A, 125VAC,
UL Listed and CSA Certified

20A through 30A, 32VAC,
UL Listed to U.S. and Canadian safety standards



STANDARD FUSE AMPERE RATINGS

Catalog Number	Axial Lead Cat. No	Ampere Rating	Volts	I.R.
GDL1/16	GDL-V1/16	1/16A	250V	1
GDL1/10	GDL-V1/10	1/10A	250V	1
GDL1/8	GDL-V1/8	1/8A	250V	1
GDL15/100	GDL-V15/100	15/100A	250V	1
GDL175/1000	GDL-V175/1000	175/1000A	250V	1
GDL3/16	GDL-V3/16	3/16A	250V	1
GDL2/10	GDL-V2/10	2/10A	250V	1
GDL1/4	GDL-V1/4	1/4A	250V	1
GDL3/10	GDL-V3/10	3/10A	250V	1
GDL3/8	GDL-V3/8	3/8A	250V	1
GDL4/10	GDL-V4/10	4/10A	250V	1
GDL1/2	GDL-V1/2	1/2A	250V	1
GDL6/10	GDL-V6/10	6/10A	250V	1
GDL7/10	GDL-V7/10	7/10A	250V	1
GDL3/4	GDL-V3/4	3/4A	250V	1
GDL8/10	GDL-V8/10	8/10A	250V	1
GDL1	GDL-V1	1A	250V	1
GDL1-1/4	GDL-V1-1/4	1-1/4A	250V	2
GDL1-1/2	GDL-V1-1/2	1-1/2A	250V	2
GDL1-6/10	GDL-V1-6/10	1-6/10A	250V	2
GDL1-8/10	GDL-V1-8/10	1-8/10A	250V	2
GDL2	GDL-V2	2A	250V	2
GDL2-1/4	GDL-V2-1/4	2-1/4A	250V	2
GDL2-1/2	GDL-V2-1/2	2-1/2A	250V	2
GDL2-8/10	GDL-V2-8/10	2-8/10A	250V	2
GDL3	GDL-V3	3A	250V	2
GDL3-2/10	GDL-V3-2/10	3-2/10A	250V	2
GDL4	GDL-V4	4A	250V	3
GDL5	GDL-V5	5A	250V	3
GDL6	GDL-V6	6A	250V	3
GDL6-1/4	GDL-V6-1/4	6-1/4A	250V	3
GDL7	GDL-V7	7A	250V	3
GDL8	GDL-V8	8A	250V	3
GDL10	GDL-V10	10A	125V	4
GDL12	GDL-V12	12A	125V	4
GDL15	GDL-V15	15A	125V	4
GDL20	GDL-V20	20A	32V	5
GDL25	GDL-V25	25A	32V	5
GDL30	GDL-V30	30A	32V	5

1. 250VAC @ 35A I.R./125VAC @ 10kA I.R.
2. 250VAC @ 100A I.R./125VAC @ 10kA I.R.
3. 250VAC @ 200A I.R./125VAC @ 10kA I.R.
4. 125VAC @ 10kA I.R.
5. 32VAC @ 300A I.R.

GGA/GGA-V

- Glass body
- Time-delay
- 5 mm x 20 mm
- 1-1/2" Axial leads optional

1/10 through 3A,
250VAC, UL Listed
and CSA Certified

4A and 5A, 125VAC,
UL Listed and CSA Certified



STANDARD FUSE AMPERE RATINGS

Catalog Number	Axial Lead Cat. No	Ampere Rating	Volts	I.R.
GGA1/10	GGA-V1/10	1/10A	250V	1
GGA1/8	GGA-V1/8	1/8A	250V	1
GGA2/10	GGA-V2/10	2/10A	250V	1
GGA1/4	GGA-V1/4	1/4A	250V	1
GGA3/10	GGA-V3/10	3/10A	250V	1
GGA4/10	GGA-V4/10	4/10A	250V	1
GGA1/2	GGA-V1/2	1/2A	250V	1
GGA6/10	GGA-V6/10	6/10A	250V	1
GGA7/10	GGA-V7/10	7/10A	250V	1
GGA3/4	GGA-V3/4	3/4A	250V	1
GGA8/10	GGA-V8/10	8/10A	250V	1
GGA1	GGA-V1	1A	250V	2
GGA1-1/4	GGA-V1-1/4	1-1/4A	250V	2
GGA1-1/2	GGA-V1-1/2	1-1/2A	250V	2
GGA1-6/10	GGA-V1-6/10	1-6/10A	250V	2
GGA2	GGA-V2	2A	250V	2
GGA2-1/2	GGA-V2-1/2	2-1/2A	250V	2
GGA3	GGA-V3	3A	250V	2
GGA4	GGA-V4	4A	125V	3
GGA5	GGA-V5	5A	125V	3

1. 250VAC @ 35A I.R./125VAC @ 10kA I.R.
2. 250VAC @ 100A I.R./125VAC @ 10kA I.R.
3. 125VAC @ 10kA I.R.

GSC/GSC-V

- Glass/ceramic body
- Time-delay
- 5 mm x 20 mm
- 1-1/2" Axial leads optional

1/10A through 3A,
250VAC, UL Listed
and CSA Certified

4A through 8A, 125VAC,
UL Listed and CSA Certified

10A, 125VAC, UL and CSA Recognized



STANDARD FUSE AMPERE RATINGS

Catalog Number	Axial Lead Cat. No	Ampere Rating	Volts	I.R.
GSC1/10	GSC-V1/10	1/10A	250V	1
GSC1/8	GSC-V1/8	1/8A	250V	1
GSC1/4	GSC-V1/4	1/4A	250V	1
GSC3/10	GSC-3/10	3/10A	250V	1
GSC4/10	GSC-V4/10	4/10A	250V	1
GSC1/2	GSC-V1/2	1/2A	250V	1
GSC6/10	GSC-V6/10	6/10A	250V	1
GSC7/10	GSC-V7/10	7/10A	250V	1
GSC3/4	GSC-V3/4	3/4A	250V	1
GSC8/10	GSC-V8/10	8/10A	250V	1
GSC1	GSC-V1	1A	250V	1
GSC1-1/4	GSC-V1-1/4	1-1/4A	250V	1
GSC1-1/2	GSC-V1-1/2	1-1/2A	250V	1
GSC1-6/10	GSC-V1-6/10	1-6/10A	250V	1
GSC2	GSC-V2	2A	250V	1
GSC2-1/2	GSC-V2-1/2	2-1/2A	250V	1
GSC3	GSC-V3	3A	250V	1
GSC4	GSC-V4	4A	125V	2
GSC5	GSC-V5	5A	125V	2
GSC6	GSC-V6	6A	125V	2
GSC7	GSC-V7	7A	125V	2
GSC8	GSC-V8	8A	125V	2
GSC10		10A	125V	3

1. 250VAC @ 100A I.R./125VAC @ 10kA I.R.
2. 125VAC @ 10kA I.R.
3. 125VAC @ 1000A I.R.



GGC/GGC-V

- Glass body
- Fast-acting
- 1/4" x 1-1/4"
- 1-1/2" Axial leads optional

1/10A through 10A,
250VAC, UL Listed
and CSA Certified

12A and 15A, 125VAC,
UL Listed and CSA
Certified

20A through 30A, 32VAC



STANDARD FUSE
AMPERE RATINGS

Catalog Number	Axial Lead Cat. No	Ampere Rating	Volts	I.R.
GGC1/10	GGC-V1/10	1/10A	250V	2
GGC1/8	GGC-V1/8	1/8A	250V	2
GGC15/100	GGC-V15/100	15/100A	250V	2
GGC175/1000	GGC-V175/1000	175/1000A	250V	2
GGC3/16	GGC-V3/16	3/16A	250V	2
GGC2/10	GGC-V2/10	2/10A	250V	2
GGC1/4	GGC-V1/4	1/4A	250V	2
GGC3/10	N/A	3/10A	250V	2
GGC3/8	GGC-V3/8	3/8A	250V	2
GGC4/10	GGC-V4/10	4/10A	250V	2
GGC1/2	GGC-V1/2	1/2A	250V	2
GGC6/10	GGC-V6/10	6/10A	250V	2
GGC3/4	GGC-V3/4	3/4A	250V	2
GGC8/10	GGC-V8/10	8/10A	250V	2
GGC1	GGC-V1	1A	250V	2
GGC1-1/4	GGC-V1-1/4	1-1/4A	250V	2
GGC1-1/2	GGC-V1-1/2	1-1/2A	250V	2
GGC1-3/4	N/A	1-3/4A	250V	2
GGC1-6/10	GGC-V1-6/10	1-6/10A	250V	2
GGC2	GGC-V2	2A	250V	2
GGC2-1/4	GGC-V2-1/4	2-1/4A	250V	2
GGC2-1/2	GGC-V2-1/2	2-1/2A	250V	2
GGC3	GGC-V3	3A	250V	2
GGC3-2/10	GGC-V3-2/10	3-2/10A	250V	3
GGC4	GGC-V4	4A	250V	2
GGC5	GGC-V5	5A	250V	2
GGC6	GGC-V6	6A	250V	2
GGC6-3/10	GGC-V6-3/10	6-3/10A	250V	2
GGC7	GGC-V7	7A	250V	2
GGC7-1/2	N/A	7-1/2A	250V	2
GGC8	GGC-V8	8A	250V	2
GGC10	GGC-V10	10A	250V	2
GGC12	GGC-V12	12A	125V	4
GGC15	GGC-V15	15A	125V	4
GGC20	GGC-V20	20A	32V	5
GGC25	GGC-V25	25A	32V	5
GGC30	GGC-V30	30A	32V	5

2. 250VAC @ 200A I.R./125VAC @ 10kA I.R.
3. 250VAC @ 10kA I.R.
4. 125VAC @ 10kA I.R.
5. 32VAC @ 1000A I.R.

GGM/GGM-V

- Glass body
- Fast-acting
- 5 mm x 20 mm
- 1-1/2" Axial leads optional

1/16A through 3A,
250VAC, UL Listed and
CSA Certified

4A through 8A,
125VAC, UL Listed and CSA Certified

10A and 15A, 250VAC,
UL Recognized



STANDARD FUSE
AMPERE RATINGS

Catalog Number	Axial Lead Cat. No	Ampere Rating	Volts	I.R.
GGM1/16	GGM-V1/16	1/16A	250V	2
GGM1/10	GGM-V1/10	1/10A	250V	3
GGM1/8	GGM-V1/8	1/8A	250V	3
GGM2/10	GGM-V2/10	2/10A	250V	3
GGM1/4	GGM-V1/4	1/4A	250V	3
GGM3/10	GGM-V3/10	3/10A	250V	3
GGM4/10	GGM-V4/10	4/10A	250V	1
GGM1/2	GGM-V1/2	1/2A	250V	3
GGM6/10	GGM-V6/10	6/10A	250V	1
GGM7/10	GGM-V7/10	7/10A	250V	3
GGM3/4	GGM-V3/4	3/4A	250V	3
GGM8/10	GGM-V8/10	8/10A	250V	1
GGM1	GGM-V1	1A	250V	3
GGM1-2/10	N/A	1-2/10A	250V	2
GGM1-1/4	GGM-V1-1/4	1-1/4A	250V	3
GGM1-1/2	GGM-V1-1/2	1-1/2A	250V	3
GGM2	GGM-V2	2A	250V	3
GGM2-1/2	GGM-V2-1/2	2-1/2A	250V	3
GGM3	GGM-V3	3A	250V	3
GGM4	GGM-V4	4A	125V	4
GGM5	GGM-V5	5A	125V	4
GGM6	GGM-V6	6A	125V	4
GGM7	GGM-V7	7A	125V	4
GGM8	GGM-V8	8A	125V	4
GGM15	GGM-V15	15A	250V	5

1. 250VAC @ 35A I.R./125VAC @ 10kA I.R.
2. 250VAC @ 100A I.R./125VAC @ 10kA I.R.
3. 250VAC @ 200A I.R./125VAC @ 10kA I.R.
4. 125VAC @ 10kA I.R.
5. 250VAC @ 100A I.R.

GPM Series

Panel Mount Fuse Holders

FUSE BLOCKS & HOLDERS



Mersen GPM panel mount fuse holders are in sizes to accommodate Class CC and midget (1-1/2" x 13/32") fuses. All 30A holders have PET insulators for extra dependability and trouble-free installation. Patented design allows same body to accept screw or bayonet knob. Flange design allows front or rear mounting.

CATALOG NUMBERS & DESCRIPTIONS

Catalog No.	Fig.	Cap Type	Amps	Volts	Fuse Type	Terminal Type
GPM-S	1	Screw Knob	30	600	1-1/2" x 13/32"	1/4" Quick-connect/Solder
GPM-S90	2	Screw Knob	30	600	1-1/2" x 13/32"	1/4" Quick-connect/Solder, Right Angle
GPM-SRR	1	Screw Knob	30	600	Class CC	1/4" Quick-connect/Solder
GPM-SRR90	2	Screw Knob	30	600	Class CC	1/4" Quick-connect/Solder, Right Angle
GPM-B	1	1/4 Turn Bayonet Knob	30	600	1-1/2" x 13/32"	1/4" Quick-connect/Solder
GPM-B90	2	1/4 Turn Bayonet Knob	30	600	1-1/2" x 13/32"	1/4" Quick-connect/Solder, Right Angle
GPM-BRR	1	1/4 Turn Bayonet Knob	30	600	Class CC	1/4" Quick-connect/Solder
GPM-BRR90	2	1/4 Turn Bayonet Knob	30	600	Class CC	1/4" Quick-connect/Solder, Right Angle
GPM-WT	1	Water-tight Screw Knob	30	600	1-1/2" x 13/32"	1/4" Quick-connect/Solder
GPM-WT90	2	Water-tight Screw Knob	30	600	1-1/2" x 13/32"	1/4" Quick-connect/Solder, Right Angle
GPM-WTR	1	Water-tight Screw Knob	30	600	Class CC	1/4" Quick-connect/Solder
GPM-WTR90	2	Water-tight Screw Knob	30	600	Class CC	1/4" Quick-connect/Solder, Right Angle

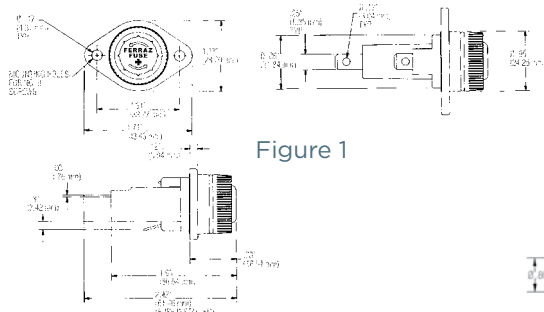


Figure 1

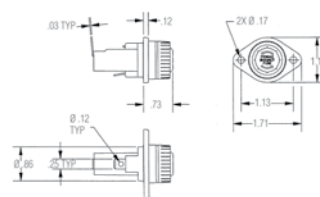


Figure 2

RATINGS:

- **Volts:** 600VAC / DC
- **Amps:** 30A Maximum
- **SCCR:** 200kA (Class CC Fuses); 100kA (Midget Fuses)

RECOMMENDED FUSE USAGE:

GPM Fuse Holders will accommodate these Mersen fuses:

GPM-SRR, GPM-BRR, GPM-WTR: ATQR, ATDR, ATMR,

GPM-SRR90, GPM-BRR90, GPM-WTR90: ATQR, ATDR, ATMR,

GPM-S, GPM-B, GPM-WT: ATQ, ATM, TRM, OTM, GGU, A13X-2, A25Z-2, A60Q-2, A6Y-2B, **GPM-S90, GPM-B90, GPM-WT90:** ATQ, ATM, TRM, OTM, GGU, A13X-2, A25Z-2, A60Q-2, A6Y-2B

APPROVALS:

- UL Recognized, guide IZLT2, File E52283
- CSA Certified - C22.2, class 6225, File 32169



Mersen GPM panel mount fuse holders will accommodate 1/4" x 1-1/4" 3AG fuses and 5 mm x 20 mm fuses; most are approved by U.L. and CSA. Cap and body material is bakelite or polycarbonate and function as a screw-in or bayonet style closure. Finger-grip or screwdriver slots are available. All holders are rated for up to 250 volts with amp ratings ranging from 3A to 15A.

Catalog No.	Cap Type	Volts	Amps	Fuse Size	Terminal Type	Approvals
GPM-A	Finger-grip/Screw-in	250	10	5mm x 20mm	Solder	UR/CSA
GPM-A1	Finger-grip/Screw-in	250	10	5mm x 20mm	Solder	
GPM-A2	Finger-grip/Screw-in	250	10	5mm x 20mm	Solder	UR/CSA
GPM-A3	Finger-grip/Screw-in	250	3	5mm x 20mm	Solder	UR/CSA
GPM-A4	Finger-grip/Screw-in	250	6.3	5mm x 20mm	Solder, right angle	
GPM-A5	Screwdriver Slot	250	10	5mm x 20mm	Solder	
GPM-A6	Screwdriver Slot	250	6.3	5mm x 20mm	Solder, right angle	UR/CSA
GPM-A8	Screwdriver Slot	250	10	5mm x 20mm	Solder, right angle	UR/CSA
GPM-A9	Screwdriver Slot	250	6.3	5mm x 20mm	Solder, right angle	UR/CSA
GPM-A10	Screwdriver Slot	250	6.3	5mm x 20mm	3/16" Solder/QC	UR/CSA
GPM-A11	Screwdriver Slot	250	10	5mm x 20mm	Solder, right angle	UR/CSA

RECOMMENDED FUSE USAGE:

- GPM-A: GGM, GGA, GSB, GSC, GDG, GSD, GSF
- All dimensions mm's

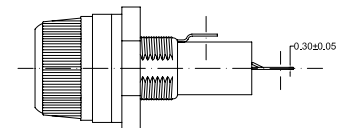
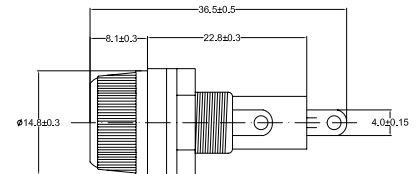
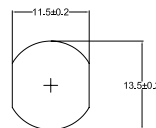
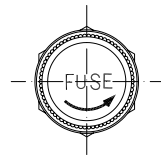
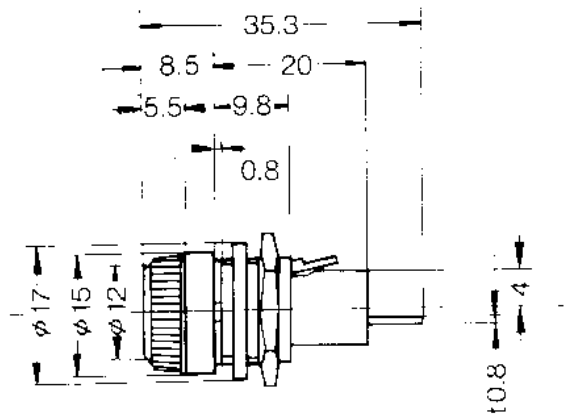
FB



GPM-A



GPM-A1

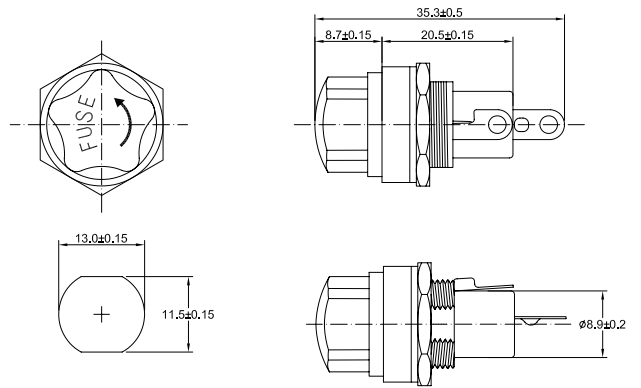
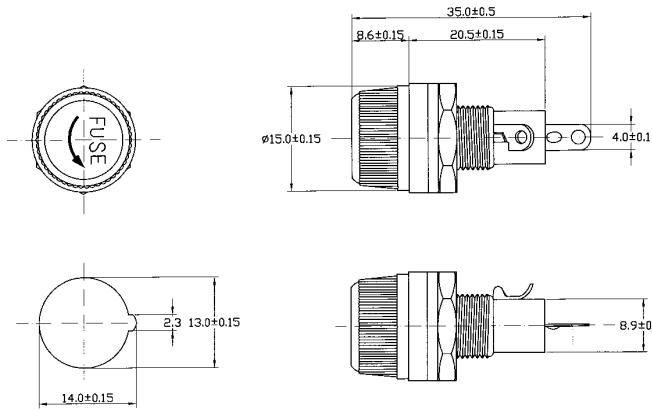




GPM-A2



GPM-A3



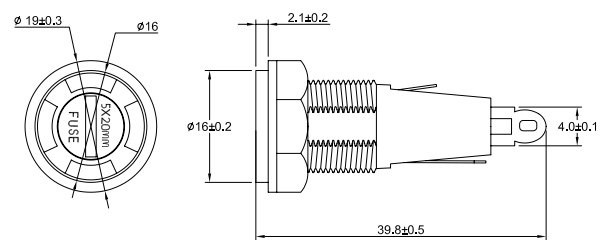
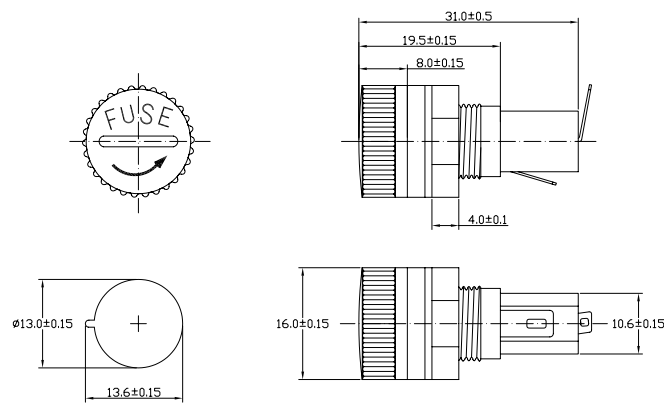
FB



GPM-A4

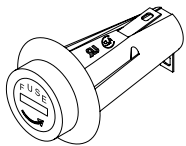
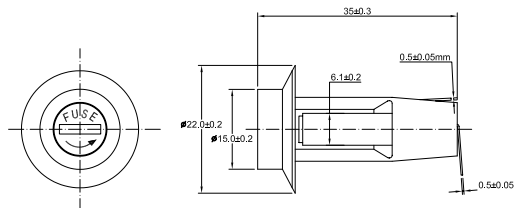
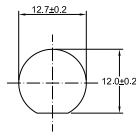


GPM-A5

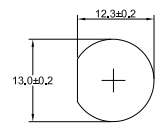
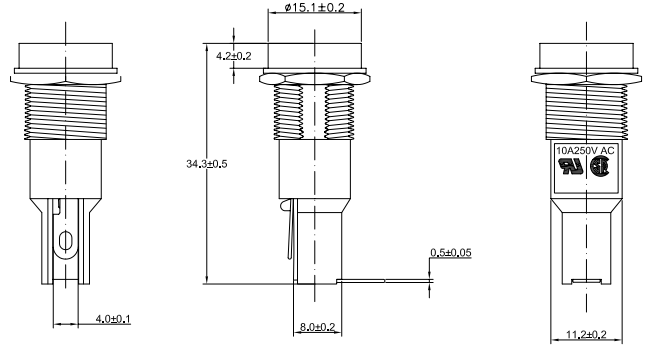
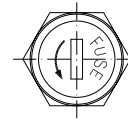




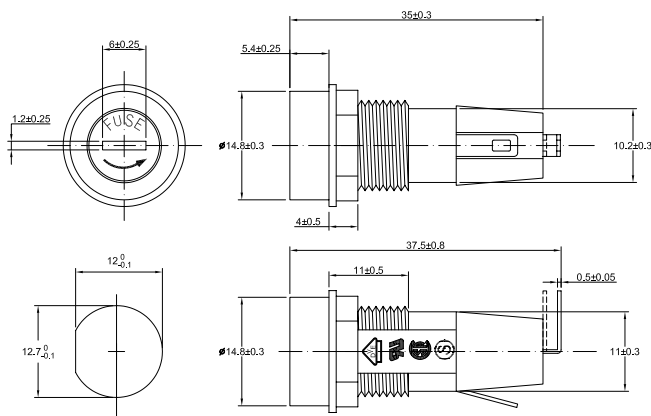
GPM-A6



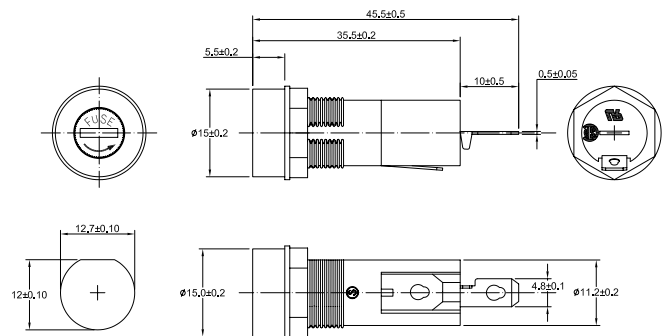
GPM-A8



GPM-A9



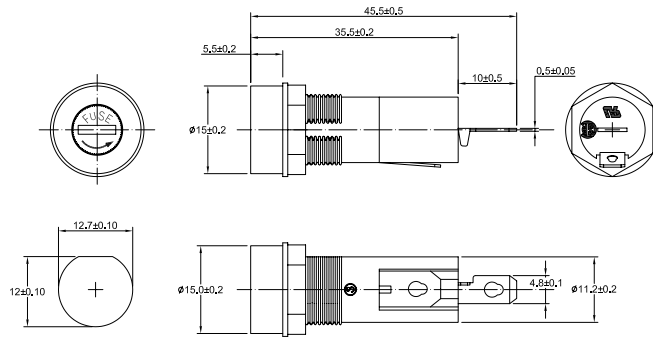
GPM-A10



FB



GPM-A11



Catalog No.	Cap Type	Volts	Amps	Fuse Size	Terminal Type	Approvals
GPM-G	Finger-grip/Screw-in	250	15	3AG	3/16" Solder/QC	UR/CSA
GPM-G1	Finger-grip/Screw-in	250	10	3AG	3/16" Solder/QC	UR/CSA
GPM-G2	Finger-grip/Screw-in	250	10	3AG	Solder	
GPM-G3	Screwdriver Slot	250	10	3AG	Solder	UR/CSA
GPM-G5	Finger-grip/Bayonet	250	10	3AG	1/4" Solder/QC	UR/CSA
GPM-G6	Finger-grip/Bayonet	250	10	3AG	Solder	UR/CSA
GPM-G7	Screwdriver Slot	250	15	3AG	3/16" Solder/QC	UR/CSA

FB

RECOMMENDED FUSE USAGE:

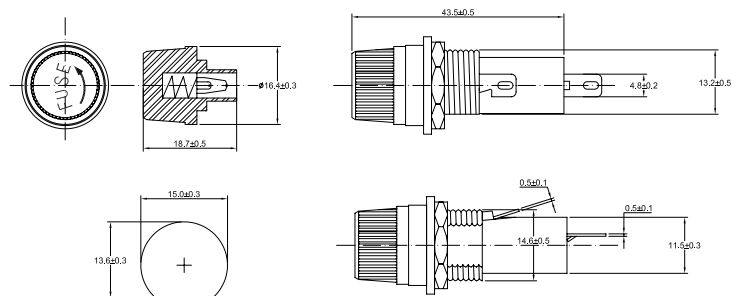
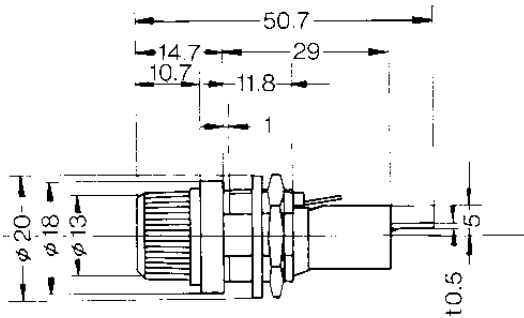
GPM-G: GGC, GDL, GSA, GAB
All dimensions mm's



GPM-G

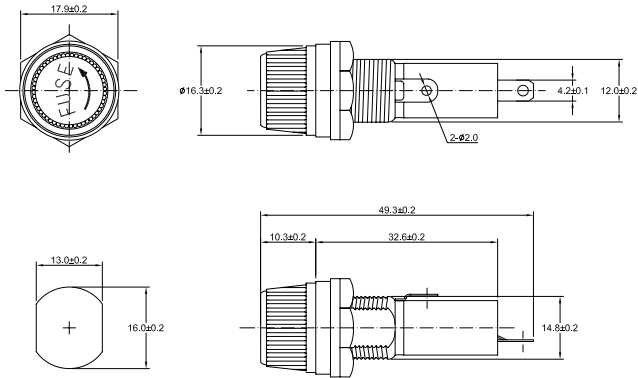


GPM-G1

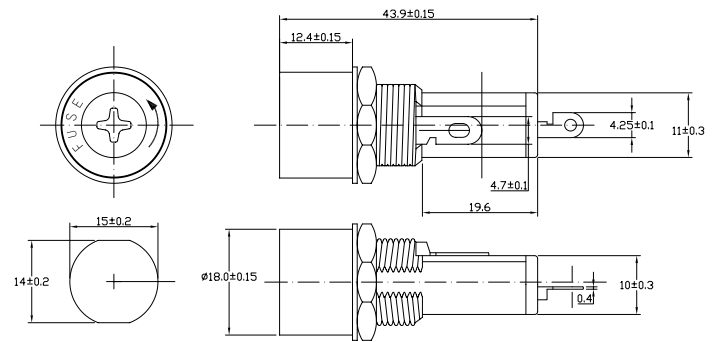




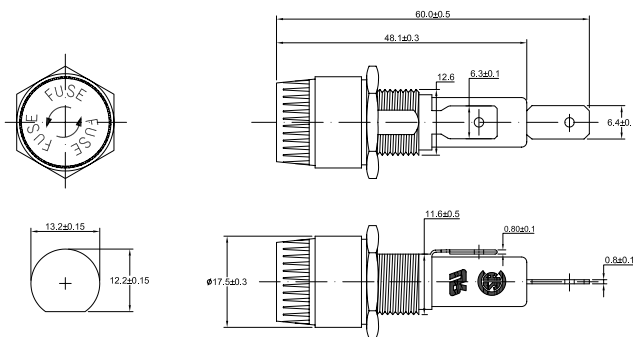
GPM-G2



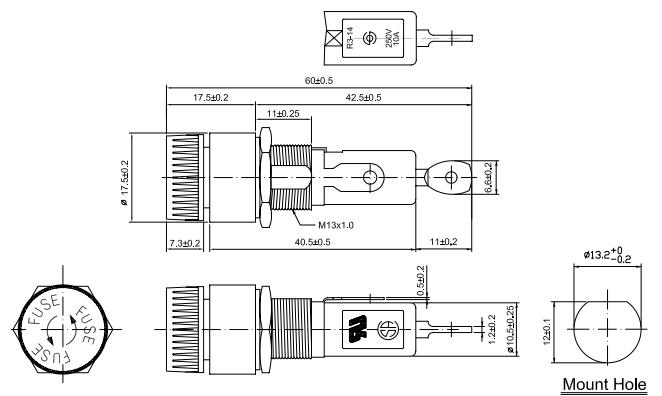
GPM-G3



GPM-G5



GPM-G6

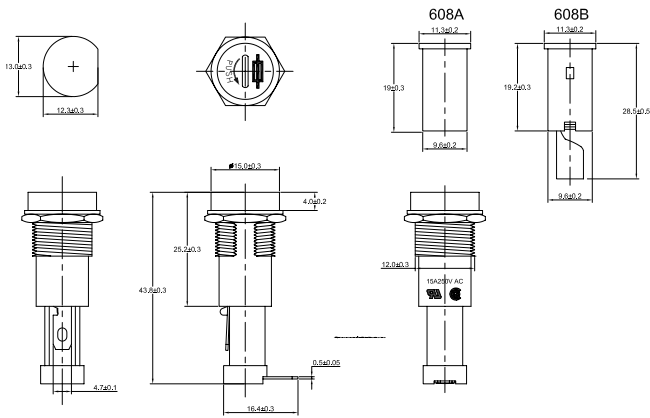


FB

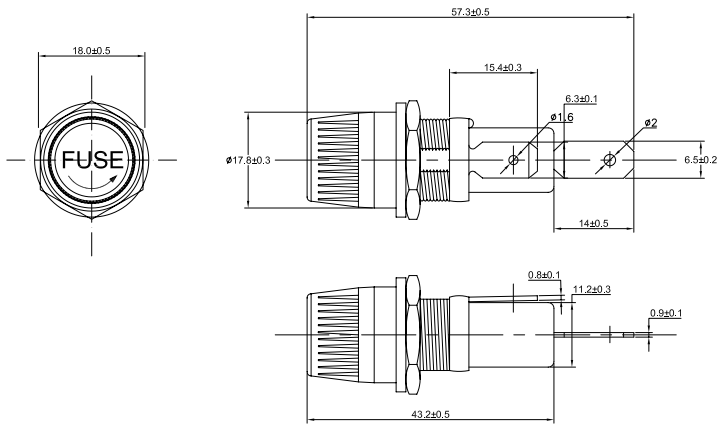
Mount Hole



GPM-G7



GPM-G8



Electronic/Glass Fuses

MIDGET, PC MOUNT & MINIATURE FUSES



GSA/GSA-V

- Ceramic body
- Time-delay
- 1/4" x 1-1/4"
- 1-1/2" Axial leads optional

1/16A through 8A,
250VAC, UL Listed

10, 12, 15A, 250V
UL Recognized

1/16A through 8A,
250VAC, CSA Certified

10, 12, 15A, 250V CSA Recognized

20A, 250VAC, 25 & 30A, 125VAC



STANDARD FUSE AMPERE RATINGS

Catalog Number	Axial Lead Cat. No	Ampere Rating	Volts	I.R.
GSA1/16	GSA-V1/16	1/16A	250V	1
GSA1/10	GSA-V1/10	1/10A	250V	1
GSA1/8	GSA-V1/8	1/8A	250V	1
GSA15/100	GSA-V15/100	15/100A	250V	1
GSA175/1000	GSA-V175/1000	175/1000A	250V	1
GSA3/16	GSA-V3/16	3/16A	250V	1
GSA2/10	GSA-V2/10	2/10A	250V	1
GSA1/4	GSA-V1/4	1/4A	250V	1
GSA3/10	GSA-V3/10	3/10A	250V	1
GSA3/8	GSA-V3/8	3/8A	250V	1
GSA4/10	GSA-V4/10	4/10A	250V	1
GSA1/2	GSA-V1/2	1/2A	250V	1
GSA6/10	GSA-V6/10	6/10A	250V	1
GSA7/10	GSA-V7/10	7/10A	250V	1
GSA3/4	GSA-V3/4	3/4A	250V	1
GSA8/10	GSA-V8/10	8/10A	250V	1
GSA1	GSA-V1	1A	250V	1
GSA1-1/4	GSA-V1-1/4	1-1/4A	250V	2
GSA1-1/2	GSA-V1-1/2	1-1/2A	250V	2
GSA1-6/10	GSA-V1-6/10	1-6/10A	250V	2
GSA2	GSA-V2	2A	250V	2
GSA2-1/4	GSA-V2-1/4	2-1/4A	250V	2
GSA2-1/2	GSA-V2-1/2	2-1/2A	250V	2
GSA2-8/10	GSA-V2-8/10	2-8/10A	250V	2
GSA3	GSA-V3	3A	250V	2
GSA3-2/10	GSA-V3-2/10	3-2/10A	250V	2
GSA3-1/2	GSA-V3-1/2	3-1/2A	250V	2
GSA4	GSA-V4	4A	250V	3
GSA5	GSA-V5	5A	250V	3
GSA6	GSA-V6	6A	250V	3
GSA6-1/4	GSA-V6-1/4	6-1/4A	250V	3
GSA7	GSA-V7	7A	250V	3
GSA8	GSA-V8	8A	250V	3
GSA10	GSA-V10	10A	250V	4
GSA12	GSA-V12	12A	250V	4
GSA15	GSA-V15	15A	250V	4
GSA20	GSA-V20	20A	250V	5
GSA25	GSA-V25	25A	125V	6
GSA30	GSA-V30	30A	125V	6

1. 250VAC @ 35A I.R./125VAC @ 10kA I.R.
 2. 250VAC @ 100A I.R./125VAC @ 10kA I.R.
 3. 250VAC @ 200A I.R./125VAC @ 10kA I.R.
 4. 250VAC @ 750A I.R./125VAC @ 10kA I.R.
 5. 250VAC @ 400A I.R./125VAC @ 10kA I.R.
 6. 125VAC @ 400A I.R.

GSD/GSD-V

- Ceramic body
- Fast-acting
- 5 mm x 20 mm
- 1-1/2" Axial leads optional

1/16A through 10A,
250VAC, UL & CSA
Recognized

1A through 6-3/10A, 250 VAC,
SEMKO Approved

1A through 6-3/10A, 250 VAC, VDE Approved

IEC 127-2 Standard Sheet 1*



STANDARD FUSE AMPERE RATINGS

Catalog Number	Axial Lead Cat. No	Ampere Rating	Volts	I.R.
GSD1/16	GSD-V1/16	1/16A	250V	1
GSD1/10	GSD-V1/10	1/10A	250V	1
GSD1/8	GSD-V1/8	1/8A	250V	1
GSD16/100	GSD-V16/100	16/100A	250V	1
GSD2/10	GSD-V2/10	2/10A	250V	1
GSD1/4	GSD-V1/4	1/4A	250V	1
GSD315/1000	GSD-V315/1000	315/1000A	250V	1
GSD4/10	GSD-V4/10	4/10A	250V	1
GSD1/2	GSD-V1/2	1/2A	250V	1
GSD630/1000	GSD-V630/1000	630/1000A	250V	1
GSD8/10	GSD-V8/10	8/10A	250V	1
GSD1	GSD-V1	1A	250V	1
GSD1-1/4	GSD-V1-1/4	1-1/4A	250V	1
GSD1-6/10	GSD-V1-6/10	1-6/10A	250V	1
GSD2	GSD-V2	2A	250V	1
GSD2-1/2	GSD-V2-1/2	2-1/2A	250V	1
GSD3-15/100	GSD-V3-15/100	3-15/100A	250V	1
GSD4	GSD-V4	4A	250V	1
GSD5	GSD-V5	5A	250V	1
GSD6-3/10	GSD-V6-3/10	6-3/10A	250V	1
GSD8	GSD-V8	8A	250V	1
GSD10	GSD-V10	10A	250V	1

1. 250VAC @ 1500A I.R.

*IEC Standards for 5x20 mm fuses do not include ratings above 6.3 amperes.

Архангельск (8182)63-90-72
Астана (7172)727-132
Астрахань (8512)99-46-04
Барнаул (3852)73-04-60
Белгород (4722)40-23-64
Брянск (4832)59-03-52
Владивосток (423)249-28-31
Волгоград (844)278-03-48
Вологда (8172)26-41-59
Воронеж (473)204-51-73
Екатеринбург (343)384-55-89
Иваново (4932)77-34-06

Ижевск (3412)26-03-58
Иркутск (395)279-98-46
Казань (843)206-01-48
Калининград (4012)72-03-81
Калуга (4842)92-23-67
Кемерово (3842)65-04-62
Киров (8332)68-02-04
Краснодар (861)203-40-90
Красноярск (391)204-63-61
Курск (4712)77-13-04
Липецк (4742)52-20-81

Магнитогорск (3519)55-03-13
Москва (495)268-04-70
Мурманск (8152)59-64-93
Набережные Челны (8552)20-53-41
Нижний Новгород (831)429-08-12
Новокузнецк (3843)20-46-81
Новосибирск (383)227-86-73
Омск (3812)21-46-40
Орел (4862)44-53-42
Оренбург (3532)37-68-04
Пенза (8412)22-31-16

Пермь (342)205-81-47
Ростов-на-Дону (863)308-18-15
Рязань (4912)46-61-64
Самара (846)206-03-16
Санкт-Петербург (812)309-46-40
Саратов (845)249-38-78
Севастополь (8692)22-31-93
Симферополь (3652)67-13-56
Смоленск (4812)29-41-54
Сочи (862)225-72-31
Ставрополь (8652)20-65-13

Сургут (3462)77-98-35
Тверь (4822)63-31-35
Томск (3822)98-41-53
Тула (4872)74-02-29
Тюмень (3452)66-21-18
Ульяновск (8422)24-23-59
Уфа (347)229-48-12
Хабаровск (4212)92-98-04
Челябинск (351)202-03-61
Череповец (8202)49-02-64
Ярославль (4852)69-52-93

Киргизия (996)312-96-26-47

Россия (495)268-04-70

Казахстан (772)734-952-31

GSF/GSF-V

- Ceramic body
- Time-delay
- 5 mm x 20 mm
- 1-1/2" Axial leads optional

1/2A through 8/10A, 250VAC

1A through 6-3/10A, 250VAC,
SEMKO, VDE Approved

1A through 10A, 250VAC, UL and CSA Recognized

IEC-127-2 Standard Sheet 5*



STANDARD FUSE AMPERE RATINGS

Catalog Number	Axial Lead Cat. No	Ampere Rating	Volts	I.R.
GSF1/2	GSF-V1/2	1/2A	250V	1
GSF630/1000	GSF-V630/1000	630/1000A	250V	1
GSF8/10	GSF-V8/10	8/10A	250V	1
GSF1	GSF-V1	1A	250V	1
GSF1-1/4	GSF-V1-1/4	1-1/4A	250V	1
GSF1-6/10	GSF-V1-6/10	1-6/10A	250V	1
GSF2	GSF-V2	2A	250V	1
GSF2-1/2	GSF-V2-1/2	2-1/2A	250V	1
GSF3-15/100	GSF-V3-15/100	3-15/100A	250V	1
GSF4	GSF-V4	4A	250V	1
GSF5	GSF-V5	5A	250V	1
GSF6-3/10	GSF-V6-3/10	6-3/10A	250V	1
GSF8	GSF-V8	8A	250V	1
GSF10	GSF-V10	10A	250V	1

1. 250VAC @ 1500A I.R.

*IEC Standards for 5x20 mm fuses do not include ratings above 6.3 amperes.