

Архангельск (8182)63-90-72
 Астана (7172)727-132
 Астрахань (8512)99-46-04
 Барнаул (3852)73-04-60
 Белгород (4722)40-23-64
 Брянск (4832)59-03-52
 Владивосток (423)249-28-31
 Волгоград (844)278-03-48
 Вологда (8172)26-41-59
 Воронеж (473)204-51-73
 Екатеринбург (343)384-55-89
 Иваново (4932)77-34-06

Ижевск (3412)26-03-58
 Иркутск (395)279-98-46
 Казань (843)206-01-48
 Калининград (4012)72-03-81
 Калуга (4842)92-23-67
 Кемерово (3842)65-04-62
 Киров (8332)68-02-04
 Краснодар (861)203-40-90
 Красноярск (391)204-63-61
 Курск (4712)77-13-04
 Липецк (4742)52-20-81

Магнитогорск (3519)55-03-13
 Москва (495)268-04-70
 Мурманск (8152)59-64-93
 Набережные Челны (8552)20-53-41
 Нижний Новгород (831)429-08-12
 Новокузнецк (3843)20-46-81
 Новосибирск (383)227-86-73
 Омск (3812)21-46-40
 Орел (4862)44-53-42
 Оренбург (3532)37-68-04
 Пенза (8412)22-31-16

Пермь (342)205-81-47
 Ростов-на-Дону (863)308-18-15
 Рязань (4912)46-61-64
 Самара (846)206-03-16
 Санкт-Петербург (812)309-46-40
 Саратов (845)249-38-78
 Севастополь (8692)22-31-93
 Симферополь (3652)67-13-56
 Смоленск (4812)29-41-54
 Сочи (862)225-72-31
 Ставрополь (8652)20-65-13

Сургут (3462)77-98-35
 Тверь (4822)63-31-35
 Томск (3822)98-41-53
 Тула (4872)74-02-29
 Тюмень (3452)66-21-18
 Ульяновск (8422)24-23-59
 Уфа (347)229-48-12
 Хабаровск (4212)92-98-04
 Челябинск (351)202-03-61
 Череповец (8202)49-02-64
 Ярославль (4852)69-52-93

Киргизия (996)312-96-26-47

Россия (495)268-04-70

Казахстан (772)734-952-31

<https://mersen.nt-rt.ru/> || mnh@nt-rt.ru

Class J

600 Volt Fuse Blocks

FUSE BLOCKS & HOLDERS

MERSEN CLASS J FUSE BLOCKS ACCOMMODATE ALL CLASS J FUSES



FB

A choice of screw, pressure plate, box and special order stud connectors fit a wide range of stranded or solid copper or aluminum conductors. Insulators are either molded glass-filled polycarbonate (GFPC) or phenolic with verified dielectric strength in excess of 2500V. 30A, 60A and the new 100A SJ fuse blocks feature a unique adder block configuration which can be snapped onto 1-, 2-, or 3-pole blocks to form multi-pole segmented blocks of as many poles as desired. All fuse clips are made of high conductivity tin-plated copper, with a choice of spring-reinforced or non-spring reinforced clips. Space saving options are now available in the 30A and 100A configurations which are noted in the product selection tables.

RATINGS:

- **Volts:** 600VAC/DC
- **Amps:** 30A, 60A, 100A, 200A, 400A, 600A
- **SCCR:** 200kA

RECOMMENDED FUSE USAGE:

- Class J Blocks (600V) use with AJT, A4J, HSJ

APPROVALS:

- All class J fuse blocks meet the requirements of UL4248 (formerly UL512)
- UL listed Guide IZLT, File E52283
- CSA certified class 6225, File 32169



CLIP & CONNECTOR TYPES:

30A & 60A Clips	Connectors	Connectors	Connectors	Connectors
Spring Reinforced 	Non-spring Reinforced 30A & 60A Box 	Spring Reinforced 30A & 60A Box 	Spring Reinforced 100A Box 	Spring Reinforced 400A Box Side Clip
Non-spring Reinforced 	Non-spring Reinforced 30A Screw 	Spring Reinforced 30A Screw 	Spring Reinforced 100A Box Side Clip 	Spring Reinforced 400A Box In-line Clip
	Non-spring Reinforced 30A Pressure Plate 	Spring Reinforced 30A Pressure Plate 	Spring Reinforced 200A Box Side Clip 	Spring Reinforced 600A Box In-line Clip

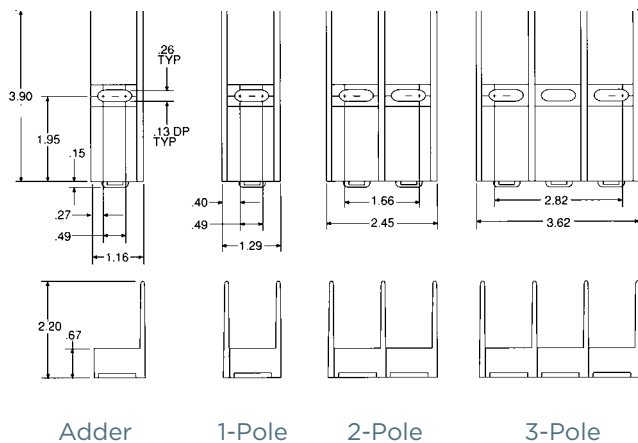
600 VOLT, 30 & 60 AMPERE CLASS J FUSE BLOCKS

Ampere Rating	Poles	Connectors		Catalog Number		Connector Torque In - lb
		Types	Wire Range	Non-Spring Reinforced	Spring Reinforced	
30 GFPC Insulator	ADDER	BOX	Al/Cu #2-14	60300J	60305SJ	35
	1			60301J	60306SJ	
	2			60302J	60307SJ	
	3			60303J	60308SJ	
	ADDER	SCREW	Cu* #4-14	60310J	60315SJ	20
	1			60311J	60316SJ	
	2			60312J	60317SJ	
	3			60313J	60318SJ	
	ADDER	PRESSURE PLATE	Cu* #4-14	60320J	60325SJ	20
	1			60321J	60326SJ	
	2			60322J	60327SJ	
	ADDER	BOX	Cu* #4-14	-	60355SJ	35
	1			-	60356SJ	
	2			-	60357SJ	
	3			-	60358SJ	
60 GFPC Insulator	ADDER	BOX	Al/Cu #2-14	60600J	60605J	45
	1			60601J	60606J	
	2			60602J	60607J	
	3			60603J	60608J	
	ADDER	BOX	Cu* #4-14	-	60655J	45
	1			-	60656J	
	2			-	60657J	
	3	-	60658J			

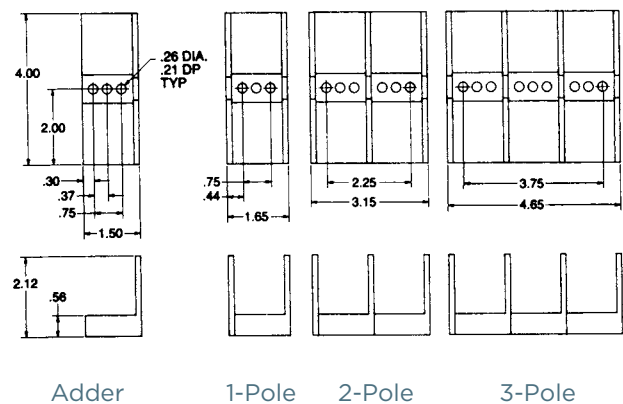
Note: To convert 30A "SJ" adder pole to single pole use end barrier cat # U09372. To convert 30A or 60A standard J adder pole to single use pole use end barrier cat # U09617. Recommended mounting screws for all 30A and 60A fuse blocks: 1/4" (0.250" dia).

*Fuses have copper box connectors and clips and are for copper wires only. These are specifically designed with the same coefficient of expansion as copper wire for improved heat cycling and meet or exceed OEM "no aluminum" specifications.

DIMENSIONS FOR 30A SPACE SAVING "SJ" STYLE FUSE BLOCKS



DIMENSIONS FOR 30A AND 60A STANDARD CLASS J STYLE FUSE BLOCKS

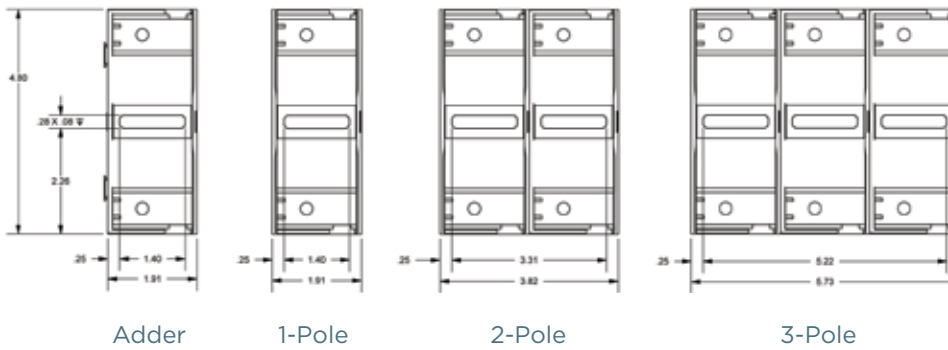


FB

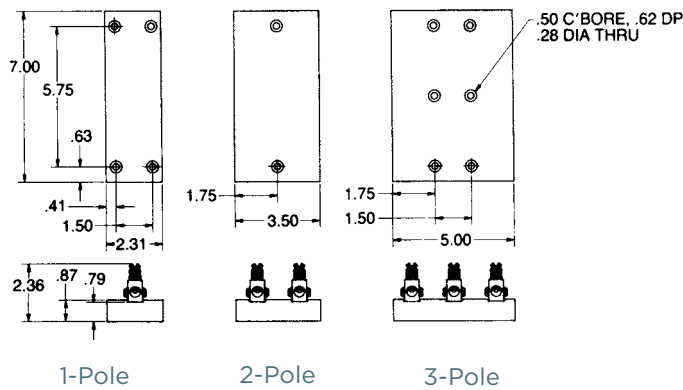
600 VOLT, 100 AMPERE CLASS J FUSE BLOCKS

Ampere Rating	Poles	Connectors		Catalog Number	Connector Torque In - lb
		Type	Wire Range	Spring Reinforced	
100 GFCP Insulator	Adder 1 2 3	Box Side Clip	Al/Cu 2/0-#6	61005SJ	100 (Al) 60 (Cu)
				61006SJ	
				61007SJ 61008SJ	
	1 2 3	Box	Al/Cu 2/0-#6	61036J	120
				61037J	
				61038J	
	1 2 3	Box	Cu* 2/0-#12	61006J	50
				61007J	
				61008J	

DIMENSIONS FOR 100A SPACE SAVING "SJ" STYLE FUSE BLOCKS



DIMENSIONS FOR 100A STANDARD CLASS J STYLE FUSE BLOCKS



600 VOLT, 200, 400 & 600 AMPERE CLASS J FUSE BLOCKS

Ampere Rating	Poles	Connector		Catalog No.	Fig.	Connector Torque In - lb
		Type	Wire Range			
200 Phenolic Insulator	1	Box	Al/Cu	62001J	1	375
	3	Side-Clip	350kcmil-#6	62003J	2	
	1	Box	Cu**	62051J	1	275
	3	Side-Clip	350kcmil-#6	62053J	2	
400 Phenolic Insulator	1	Box*	AL/Cu	64001J	3	375
	3	Side-Clip	1000-250kcmil	64003J	4	
	1	Box	AL/Cu	64031J	5	275
	3	In-Line Clip	{2} 350kcmil-#4	64033J	6	
	1	Box*	Cu**	64051J	3	375
	3	Side-Clip	1000-250kcmil	64053J	4	
	1	Box	Cu**	64061J	5	275
	3	In-Line Clip	{2} 350kcmil-#6	64063J	6	
600 Phenolic Insulator	1	Box	Al/Cu	6631J	7	500
	3	In-Line Clip	{2} 500kcmil-#4	6633J	8	
	1	Box	Cu**	6661J	7	375
	3	In-Line Clip	{2} 500kcmil-#4	6663J	8	

* Not UL Listed or CSA Certified

** Fuse blocks have copper box connectors and clips and are for copper wires only. These are specifically designed with the same coefficient of expansion as copper wire for improved heat cycling and meet or exceed OEM "no aluminum" specifications.

Recommended mounting screws:
All 200A, 400A & 600A - 5/16" (.313" dia.)

DIMENSIONS

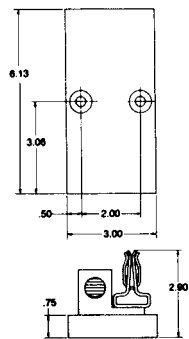


Figure 1

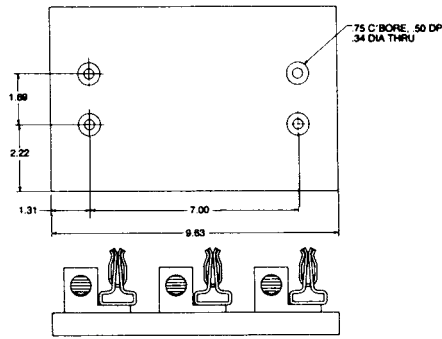


Figure 2

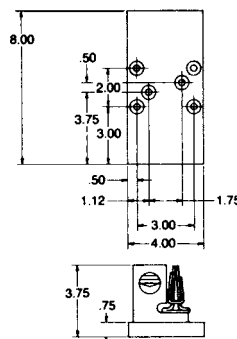


Figure 3

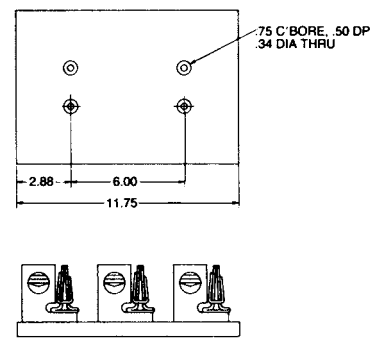


Figure 4

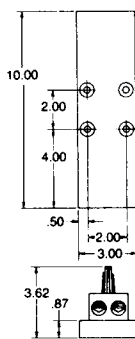


Figure 5

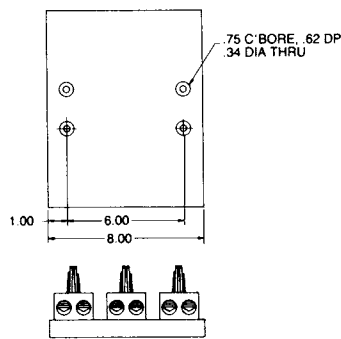


Figure 6

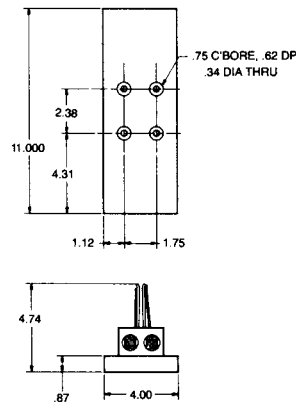


Figure 7

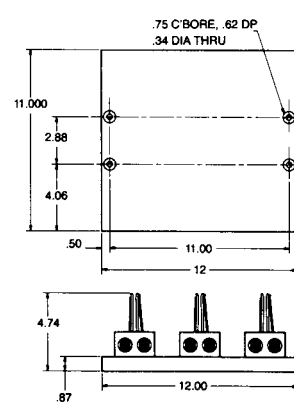


Figure 8



A4J

Fast Acting/Class J

UL/CSA LISTED POWER FUSES

FOR EXCELLENT CURRENT-LIMITING PROTECTION



A4J Class J fuses deliver excellent current-limiting protection to a wide variety of applications. Their unique dimensions prevent the substitution of other fuses with lower voltage ratings, interrupting ratings, or current-limiting capability.

FEATURES/BENEFITS:

- High current limitation for low peak let-thru current
- Unique dimensions prevent replacement by other fuse classes
- Fiberglass body provides dimensional stability in harsh industrial environments
- Easy-to-read imprint label for quick recognition and replacement

RATINGS:

- **Volts:** 600VAC, 300VDC
- **Amps:** 1 to 600A
- **IR:** 200kA I.R. AC, 100kA I.R. DC

HIGHLIGHTS:

- Fast-acting
- Very current-limiting
- DC ratings

APPLICATIONS:

- Capacitors
- Load centers
- Panelboards
- Switchboards
- Bus duct
- Feeder circuits
- Circuit breakers
- Lighting, heating, and general loads

APPROVALS:

- UL listed to standard 248-8 File E2137
- CSA certified to standard C22.2 no. 248.8
- DC listed to UL 248
- IEC 269-2-1



CATALOG NUMBERS (AMPS)

A4J1	A4J35	A4J90	A4J250
A4J3	A4J40	A4J100	A4J300
A4J6	A4J45	A4J110	A4J350
A4J10	A4J50	A4J125	A4J400
A4J15	A4J60	A4J150	A4J450
A4J20	A4J70	A4J175	A4J500
A4J25	A4J75	A4J200	A4J600
A4J30	A4J80	A4J225	

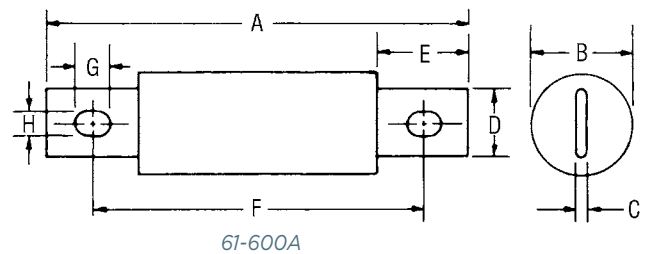
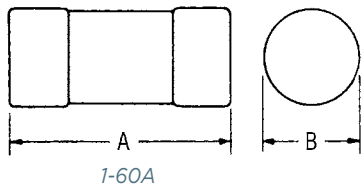
RECOMMENDED FUSE BLOCKS
WITH BOX CONNECTORS FOR
AMP-TRAP® CLASS J FUSES

Fuse Ampere Rating	Catalog Number 600V or Less	
	1-Pole	3-Pole
0-30	US3J1I	US3J3I
31-60	US6J1I	US6J3I
61-100	61036J	61038J
101-200	62001J	62003J
201-400	64031J	64033J
401-600	6631J	

A variety of pole configurations and termination provisions are available. Refer to Section FB for details.

DIMENSIONS

Ampere Rating	A		B		C		D		E		F		G		H	
	in	mm	in	mm	in	mm	in	mm	in	mm	in	mm	in	mm	in	mm
1-30	2-1/4	57	13/16	21	-	-	-	-	-	-	-	-	-	-	-	-
31-60	2-3/8	60	1-1/16	27	-	-	-	-	-	-	-	-	-	-	-	-
61-100	4-4/8	117	1-1/8	29	1/8	3.2	3/4	19	1	25	3-5/8	92	3/8	10	9/32	7
101-200	5-3/4	146	1-5/8	41	3/16	4.8	1-1/8	29	1-3/8	35	4-3/8	111	3/8	10	9/32	7
201-400	7-1/8	181	2-1/8	54	1/4	6.3	1-5/8	41	1-7/8	48	5-1/4	133	17/32	13	13/32	10
401-600	8	203	2-1/2	64	3/8	9.5	2	51	2-1/8	54	6	152	11/16	18	17/32	13



AJT

Time Delay/Class J

UL/CSA LISTED POWER FUSES

MAXIMUM CIRCUIT PROTECTION



Amp-Trap 2000® AJT fuses provide non-indication as well as a SmartSpot® visual open fuse indicator. With advanced material technology the AJT fuse provides IEC Type 2 No Damage protection to main, feeder, and branch circuits, for all types of loads — yet, they require only half the mounting space needed for 600VAC Class RK fuses. AJT's time-delay characteristics are ideal for handling typical motor and transformer inrush currents, while also providing superior current-limiting ability.

FEATURES/BENEFITS:

- Non-indicating or solid state SmartSpot visual blown fuse indicator
- Time-delay for motor starting and transformer inrush
- 300kA interrupting rating - self-certified, UL witnessed tests
- Extremely current-limiting for low peak let-thru current
- Non-indicating fuses suitable for use in NEC Class I Division 2 hazardous locations¹
- Recommended for Arc Flash energy reduction
- Small footprint requires less mounting space and allows smaller, more economical fuse blocks
- Easy 2-to-1 selectivity for prevention of nuisance shutdowns
- Unique Class J dimensions prevent replacement errors
- High-visibility orange label gives instant brand recognition
- Metal-embossed date and catalog number for traceability and lasting identification
- Fiberglass body provides dimensional stability in harsh environments
- High-grade silica filler ensures fast arc quenching
- Optional EI open fuse indicator/switch mount for AJT70 to 600

¹ Mersen highly recommends installation in Class I Division 2 certified sealed enclosure.

RATINGS:

- **Volts:**
 - 1-12A and 110-600A models: 600VAC, 500VDC
 - 15-100A models: 700VAC (self certified), 400VDC
- **Amps:** 1 to 600A
- **IR:** 200kA I.R. AC, 100kA I.R. DC (Self-certified for 600VAC, 300kA I.R., UL witnessed).

APPLICATIONS:

- Motor circuits
- Mains
- Feeders
- Branch circuits
- Lighting, heating & general loads
- Transformers
- Control panels
- Circuit breaker back-up
- Bus duct
- Load centers

APPROVALS:

AJT (1-600)[N]:

- UL listed to standard 248-8 File E2137
- DC listed to UL standard 248
- CSA certified to standard C22.2 No. 248.8
- IEC 60269-2-1

AJT (70-600) EI:

- UL listed
- DC tested to UL standard 248



CATALOG NUMBERS (AMPS)

1-7A: Non-indicating only; SmartSpot visual indicator not available		8-600A: Non-indicating and SmartSpot versions available		
		For non-indicating, add suffix 'N' to catalog number. Ex.: AJT30 [indicating]; AJT30N [non-indicating].		
AJT1N	AJT3-2/10N	AJT8	AJT45	AJT200
AJT1-1/4N	AJT3-1/2N	AJT9	AJT50	AJT225
AJT1-1/2N	AJT4N	AJT10	AJT60	AJT250
AJT1-6/10N	AJT4-1/2N	AJT12	AJT70	AJT300
AJT1-8/10N	AJT5N	AJT15	AJT80	AJT350
AJT2N	AJT5-6/10N	AJT17-1/2	AJT90	AJT400
AJT2-1/4N	AJT6N	AJT20	AJT100	AJT450
AJT2-1/2N	AJT6-1/4N	AJT25	AJT110	AJT500
AJT2-8/10N	AJT7N	AJT30	AJT125	AJT600
AJT3N		AJT35	AJT150	
		AJT40	AJT175	

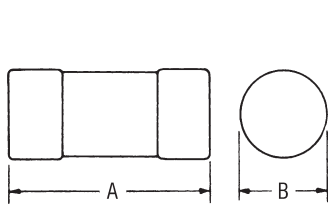
RECOMMENDED FUSE BLOCKS WITH BOX CONNECTORS FOR AMP-TRAP® CLASS J FUSES

Fuse Ampere Rating	Catalog Number 600V or Less	
	1 Pole	3 Pole
0-30	US3J1I	US3J3I
31-60	US6J1I	US6J3I
61-100	61036J	61038J
101-200	62001J	62003J
201-400	64031J	64033J
401-600	6631J	6633J

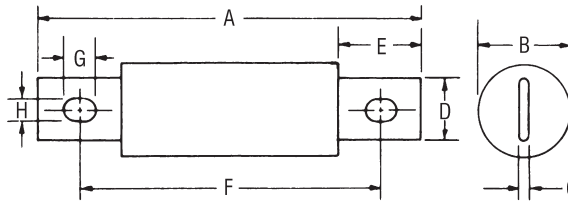
A variety of pole configurations and termination provisions are available. Refer to Section FB for details.

DIMENSIONS

Ampere Rating	A		B		C		D		E		F		G		H	
	in	mm	in	mm	in	mm	in	mm	in	mm	in	mm	in	mm	in	mm
1-30	2-1/4	57	13/16	21	-	-	-	-	-	-	-	-	-	-	-	-
31-60	2-3/8	60	1-1/16	27	-	-	-	-	-	-	-	-	-	-	-	
61-100	4-5/8	117	1-1/16	27	1/8	3.2	3/4	19	1	25	3-5/8	92	3/8	10	9/32	7
101-200	5-3/4	146	1-5/8	41	3/16	4.8	1-1/8	29	1-3/8	35	4-3/8	111	3/8	10	9/32	7
201-400	7-1/8	181	2-1/8	54	1/4	6.3	1-5/8	41	1-7/8	48	5-1/4	133	17/32	14	13/32	10
401-600	8	203	2-1/2	64	3/8	9.5	2	51	2-1/8	54	6	152	11/16	18	17/32	13

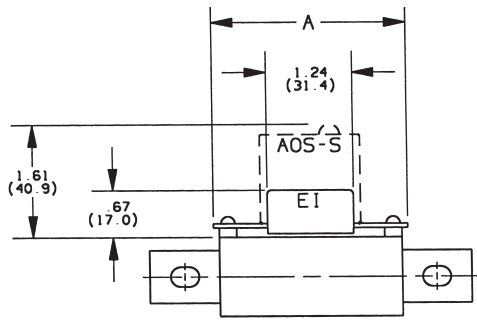


1-60A



70-600A

OPTIONAL INDICATOR/MICROSWITCH MOUNT (EI) DIMENSIONS:



Note: Fuses with the EI option are designed to work with the AOS-S or AOS-Q add-on switch (ordered separately).



Catalog Number	A
AJT (70-100)-EI	2.8 in (71.0 mm)
AJT (110-200)-EI	3.22 in (81.8 mm)
AJT (225-400)-EI	3.24 in (82.2 mm)
AJT (450-600)-EI	3.61 in (91.8 mm)

AJT Reducer Fuses

Time Delay/Class J

UL/CSA LISTED POWER FUSES

DECREASE YOUR CURRENT RATING WITHOUT
USING A FUSE REDUCER



AJT Reducer Fuses are a safe permanent solution for decreasing your current rating without using a Fuse Reducer accessory, which is designed for temporary use only. These special purpose UL Listed reduced rating Class J fuses provide the same trusted protection levels as a traditional AJT fuses, but in a larger body.

FEATURES/BENEFITS:

- Replaces traditional temporary-use only Fuse Reducer accessories
- Recommended for Arc Flash energy reduction
- Extremely current-limiting for low peak let-thru current
- Most current-limiting UL class fuse
- Time-delay for motor starting and transformer inrush
- High-visibility orange label gives instant brand recognition
- Metal-embossed date and catalog number for traceability and lasting identification
- Fiberglass body provides dimensional stability in harsh industrial settings
- High-grade silica filler ensures fast arc quenching
- Optional EI indicator/switch

HIGHLIGHTS:

- Class J Reduced Rating
- Arc Flash mitigating
- Highly current-limiting
- Time-delay
- DC ratings
- Optional mechanical indicator

RATINGS:

Volts: 600VAC, 500VDC

Amps: 125 to 200A (in 400A body),
250 to 400A (in 600A body)

IR: 200kA I.R. AC, 100kA I.R. DC
(Self-certified for 600VAC,
300kA I.R., UL witnessed).

APPLICATIONS:

- Motor circuits
- Mains
- Feeders
- Branch circuits
- Lighting, heating & general loads
- Transformers
- Control panels
- Circuit breaker back-up
- Bus duct
- Load centers

Note: See motor fuse applications tables for additional information

APPROVALS:

AJT (1-600):

- UL Listed to standard 248-8
- IEC 269-2-1



CATALOG NUMBERS (AMPS) RECOMMENDED FUSE BLOCKS WITH BOX CONNECTORS FOR AMP-TRAP® CLASS J FUSES

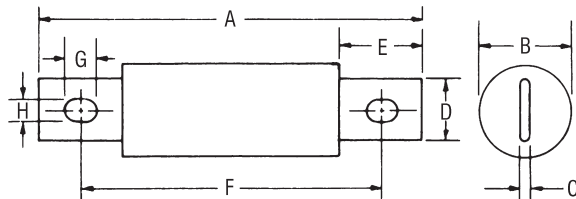
Catalog Numbers	Amp Rating	Body Size
AJT125/400	125A	400A
AJT150/400	150A	
AJT175/400	175A	
AJT200/400	200A	
AJT250/600	250A	600A
AJT300/600	300A	
AJT350/600	350A	
AJT400/600	400A	

Amp Rating/ Body Size	Catalog Number 600V or Less	
	1 Pole	3 Pole
125/400-200/400	64031J	64033J
250/600-400/600	6631J	6633J

A variety of pole configurations and termination provisions are available. Refer to Section FB for details.

DIMENSIONS

Ampere Rating	A		B		C		D		E		F		G		H	
	in	mm	in	mm	in	mm	in	mm	in	mm	in	mm	in	mm	in	mm
125-200	7-1/8	181	2-1/8	54	1/4	6.3	1-5/8	41	1-7/8	48	5-1/4	133	17/32	14	13/32	10
250-400	8	203	2-1/2	64	3/8	9.5	2	51	2-1/8	54	6	152	11/16	18	17/32	13



70-600A

Class J

600 Volt Fuse Blocks

FUSE BLOCKS & HOLDERS

MERSEN CLASS J FUSE BLOCKS ACCOMMODATE ALL CLASS J FUSES



FB

A choice of screw, pressure plate, box and special order stud connectors fit a wide range of stranded or solid copper or aluminum conductors. Insulators are either molded glass-filled polycarbonate (GFPC) or phenolic with verified dielectric strength in excess of 2500V. 30A, 60A and the new 100A SJ fuse blocks feature a unique adder block configuration which can be snapped onto 1-, 2-, or 3-pole blocks to form multi-pole segmented blocks of as many poles as desired. All fuse clips are made of high conductivity tin-plated copper, with a choice of spring-reinforced or non-spring reinforced clips. Space saving options are now available in the 30A and 100A configurations which are noted in the product selection tables.

RATINGS:

- **Volts:** 600VAC/DC
- **Amps:** 30A, 60A, 100A; 200A, 400A, 600A
- **SCCR:** 200kA

RECOMMENDED FUSE USAGE:

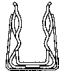
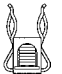



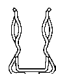





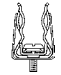


- Class J Blocks (600V) use with AJT, A4J, HSJ

APPROVALS:

- All class J fuse blocks meet the requirements of UL4248 (formerly UL512)
- UL listed Guide IZLT, File E52283
- CSA certified class 6225, File 32169



CLIP & CONNECTOR TYPES:

30A & 60A Clips	Connectors	Connectors	Connectors	Connectors
Spring Reinforced 	Non-spring Reinforced 30A & 60A Box 	Spring Reinforced 30A & 60A Box 	Spring Reinforced 100A Box 	Spring Reinforced 400A Box Side Clip 
Non-spring Reinforced 	Non-spring Reinforced 30A Screw 	Spring Reinforced 30A Screw 	Spring Reinforced 100A Box Side Clip 	Spring Reinforced 400A Box In-line Clip 
	Non-spring Reinforced 30A Pressure Plate 	Spring Reinforced 30A Pressure Plate 	Spring Reinforced 200A Box Side Clip 	Spring Reinforced 600A Box In-line Clip 

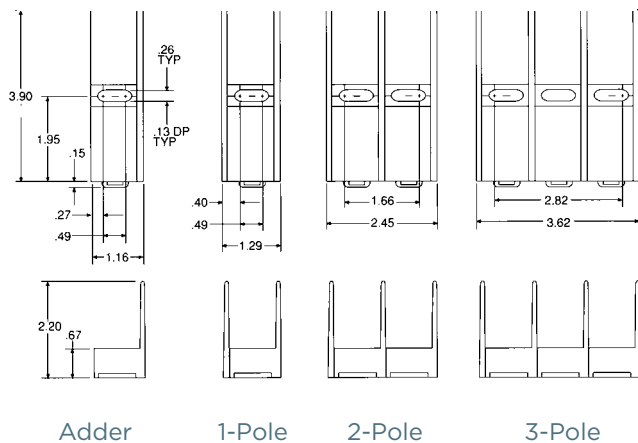
600 VOLT, 30 & 60 AMPERE CLASS J FUSE BLOCKS

Ampere Rating	Poles	Connectors		Catalog Number		Connector Torque In - lb
		Types	Wire Range	Non-Spring Reinforced	Spring Reinforced	
30 GFPC Insulator	ADDER	BOX	Al/Cu #2-14	60300J	60305SJ	35
	1			60301J	60306SJ	
	2			60302J	60307SJ	
	3			60303J	60308SJ	
	ADDER	SCREW	Cu* #4-14	60310J	60315SJ	20
	1			60311J	60316SJ	
	2			60312J	60317SJ	
	3			60313J	60318SJ	
	ADDER	PRESSURE PLATE	Cu* #4-14	60320J	60325SJ	20
	1			60321J	60326SJ	
	2			60322J	60327SJ	
	ADDER	BOX	Cu* #4-14	-	60355SJ	35
	1			-	60356SJ	
	2			-	60357SJ	
	3			-	60358SJ	
60 GFPC Insulator	ADDER	BOX	Al/Cu #2-14	60600J	60605J	45
	1			60601J	60606J	
	2			60602J	60607J	
	3			60603J	60608J	
	ADDER	BOX	Cu* #4-14	-	60655J	45
	1			-	60656J	
	2			-	60657J	
	3			-	60658J	

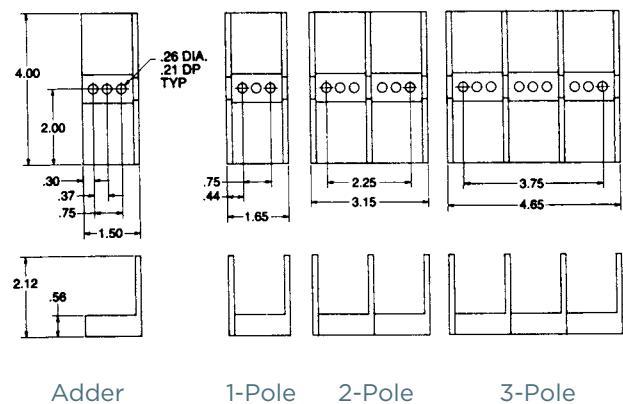
Note: To convert 30A "SJ" adder pole to single pole use end barrier cat # U09372. To convert 30A or 60A standard J adder pole to single use pole use end barrier cat # U09617. Recommended mounting screws for all 30A and 60A fuse blocks: 1/4" (0.250" dia).

*Fuses have copper box connectors and clips and are for copper wires only. These are specifically designed with the same coefficient of expansion as copper wire for improved heat cycling and meet or exceed OEM "no aluminum" specifications.

DIMENSIONS FOR 30A SPACE SAVING "SJ" STYLE FUSE BLOCKS



DIMENSIONS FOR 30A AND 60A STANDARD CLASS J STYLE FUSE BLOCKS

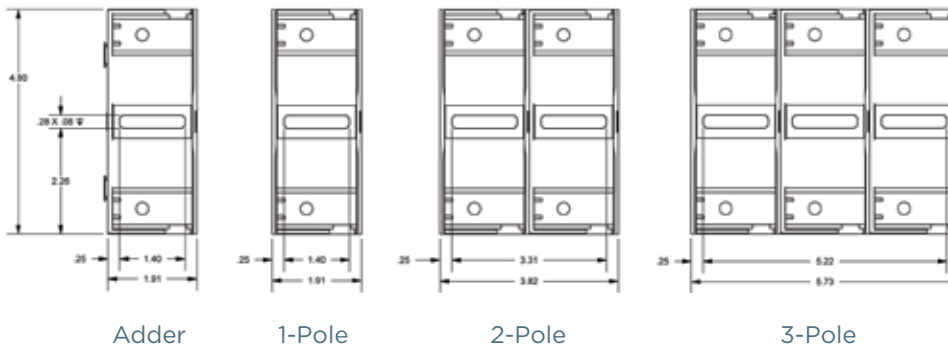


FB

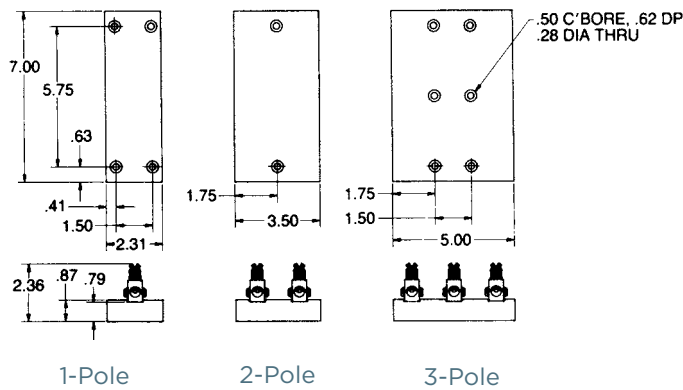
600 VOLT, 100 AMPERE CLASS J FUSE BLOCKS

Ampere Rating	Poles	Connectors		Catalog Number	Connector Torque In - lb
		Type	Wire Range	Spring Reinforced	
100 GFCP Insulator	Adder 1 2 3	Box Side Clip	Al/Cu 2/0-#6	61005SJ	100 (Al) 60 (Cu)
				61006SJ	
				61007SJ 61008SJ	
	1 2 3	Box	Al/Cu 2/0-#6	61036J	120
				61037J	
				61038J	
	1 2 3	Box	Cu* 2/0-#12	61006J	50
				61007J	
				61008J	

DIMENSIONS FOR 100A SPACE SAVING "SJ" STYLE FUSE BLOCKS



DIMENSIONS FOR 100A STANDARD CLASS J STYLE FUSE BLOCKS



600 VOLT, 200, 400 & 600 AMPERE CLASS J FUSE BLOCKS

Ampere Rating	Poles	Connector		Catalog No.	Fig.	Connector Torque In - lb
		Type	Wire Range			
200 Phenolic Insulator	1	Box	Al/Cu	62001J	1	375
	3	Side-Clip	350kcmil-#6	62003J	2	
	1	Box	Cu**	62051J	1	275
	3	Side-Clip	350kcmil-#6	62053J	2	
400 Phenolic Insulator	1	Box*	AL/Cu	64001J	3	375
	3	Side-Clip	1000-250kcmil	64003J	4	
	1	Box	AL/Cu	64031J	5	275
	3	In-Line Clip	{2} 350kcmil-#4	64033J	6	
	1	Box*	Cu**	64051J	3	375
	3	Side-Clip	1000-250kcmil	64053J	4	
	1	Box	Cu**	64061J	5	275
	3	In-Line Clip	{2} 350kcmil-#6	64063J	6	
600 Phenolic Insulator	1	Box	Al/Cu	6631J	7	500
	3	In-Line Clip	{2} 500kcmil-#4	6633J	8	
	1	Box	Cu**	6661J	7	375
	3	In-Line Clip	{2} 500kcmil-#4	6663J	8	

* Not UL Listed or CSA Certified

** Fuse blocks have copper box connectors and clips and are for copper wires only. These are specifically designed with the same coefficient of expansion as copper wire for improved heat cycling and meet or exceed OEM "no aluminum" specifications.

Recommended mounting screws:
All 200A, 400A & 600A - 5/16" (.313" dia.)

DIMENSIONS

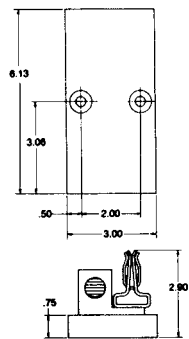


Figure 1

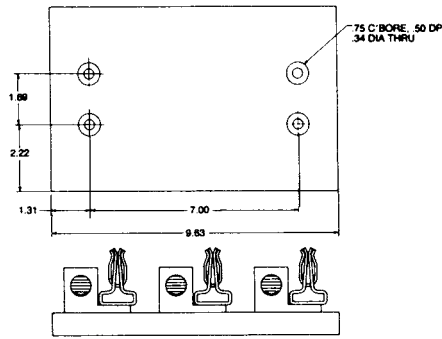


Figure 2

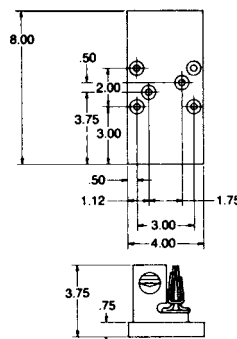


Figure 3

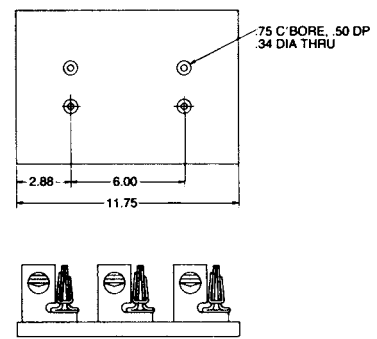


Figure 4

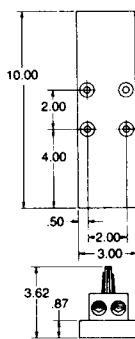


Figure 5

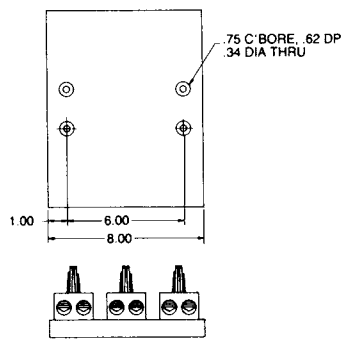


Figure 6

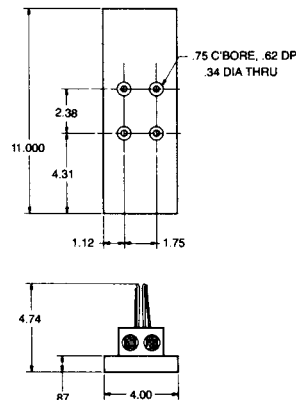


Figure 7

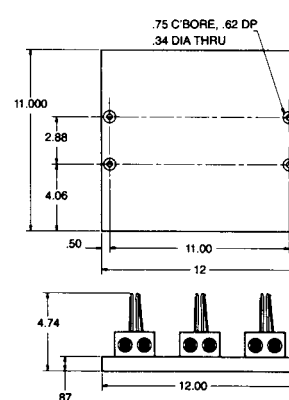


Figure 8



HSJ

High Speed/Class J

UL/CSA LISTED POWER FUSES

PROTECT YOUR WIRING AND POWER
SEMICONDUCTORS WITH A SINGLE FUSE



The High Speed J (HSJ) fuse combines the low I^2t of a semiconductor fuse and the branch circuit performance of a Class J UL listed fuse. This fuse was designed for the starting characteristics of solid state motor controllers. The HSJ can provide branch circuit protection per NEC requirements, as well as very low I^2t for protection of power semiconductors such as Diodes, SCRs, GTOs and SSRs.

FEATURES/BENEFITS:

- Optimized over-load capability for withstanding elevated levels of current during electronic motor controller starts
- Low I^2t (low thermal energy)
- Excellent cycling ability for frequent starts/stops without nuisance opening

RATINGS:

- **Volts:** 600VAC, 500VDC
- **Amps:** 1 to 600A (AC), 15 to 600A (DC)
- **IR:** 200kA I.R. AC, 100kA I.R. DC, L/R =10mS or less (Self Certified for 600VAC, 300kA I.R., UL witnessed.)

HIGHLIGHTS:

- Current-limiting
- AC & DC ratings
- Low I^2t
- Compact size

APPLICATIONS:

- Branch circuits
- Control panels
- Electronic motor controllers
- Phase controllers
- Drives
- Soft-starters
- Solid state relays

APPROVALS:

- UL listed to standard 248-8 File E2137
- CSA certified to standard C22.2 no. 248.8
- DC listed to UL 248



CATALOG NUMBERS (AMPS)

HSJ1	HSJ30	HSJ90	HSJ250
HSJ3	HSJ35	HSJ100	HSJ300
HSJ6	HSJ40	HSJ110	HSJ350
HSJ10	HSJ45	HSJ125	HSJ400
HSJ15	HSJ50	HSJ150	HSJ450
HSJ17-1/2	HSJ60	HSJ175	HSJ500
HSJ20	HSJ70	HSJ200	HSJ600
HSJ25	HSJ80	HSJ225	

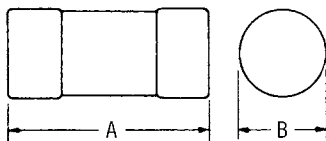
RECOMMENDED FUSE BLOCKS WITH BOX CONNECTORS FOR AMP-TRAP® CLASS J FUSES

Fuse Ampere Rating	Catalog Number 600V or Less	
	1-Pole	3-Pole
0-30	US3J1I	US3J3I
31-60	US6J1I	US6J3I
61-100	61036J	61038J
101-200	62001J	62003J
201-400	64031J	64033J
401-600	6631J	6633J

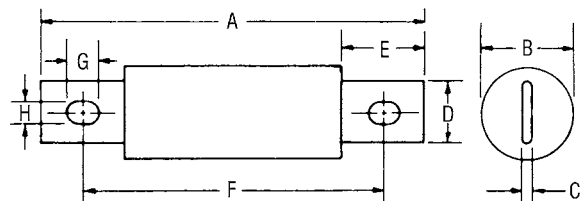
A variety of pole configurations and termination provisions are available. Refer to Section FB for details.

DIMENSIONS

Ampere Rating	A		B		C		D		E		F		G		H	
	in	mm	in	mm	in	mm	in	mm	in	mm	in	mm	in	mm	in	mm
1-30	2-1/4	57	13/16	21	-	-	-	-	-	-	-	-	-	-	-	-
31-60	2-3/8	60	1-1/16	27	-	-	-	-	-	-	-	-	-	-	-	-
61-100	4-4/8	117	1-1/8	29	1/8	3.2	3/4	19	1	25	3-5/8	92	3/8	10	9/32	7
101-200	5-3/4	146	1-5/8	41	3/16	4.8	1-1/8	29	1-3/8	35	4-3/8	111	3/8	10	9/32	7
201-400	7-1/8	181	2-1/8	54	1/4	6.3	1-5/8	41	1-7/8	48	5-1/4	133	17/32	13	13/32	10
401-600	8	203	2-1/2	64	3/8	9.5	2	51	2-1/8	54	6	152	11/16	18	17/32	13



1-60A



61-600A

US3J & US6J

UltraSafe™ Class J Fuse Holders

FUSE BLOCKS & HOLDERS

ULTRASAFE™ MODULAR FUSE HOLDERS FOR CLASS J FUSES



Mersen UltraSafe Modular 600 Volt Fuse Holders for Class J fuses introduce a new level of safety and ease for installing or replacing Class J fuses. UltraSafe holders qualify as “finger-safe” to an IP20 grade of protection under IEC standards. The US3J accommodates 30A Class J or 22 x 58 mm French Ferrule* fuses. The US6J is for 60A Class J fuses. UltraSafe holders are available in compact 1, 2, or 3 pole units, with or without blown-fuse indicators in each pole. Multi-pole units can also be made up in the field by using the multiple-pole Assembly Kits. All units have provisions for locking in the open position for safety during fuse changeouts or equipment servicing. US3J and US6J holders can be snap-mounted to 35 mm DIN-rail and they have a unique latch which will stay open to allow re-positioning of the holder in the future. UltraSafe body material is tough and durable polyamide.

**Holder not UL listed when installed with French Ferrule fuses.*

RECOMMENDED FUSE USAGE:

US3J, US6J use with AJT, A4J, HSJ

RATINGS:

- **Volts:** 600VAC/DC
- **Amps:** US3J - 30A Maximum, US6J - 60A Maximum
- **SCCR:** 200kA

*Min. voltage to operate indicator light:
90VAC, 115VDC [Less than 0.7 mA leakage
current at 600V]*

HIGHLIGHTS

- Finger-safe IP20 protection
- Optional indicator lights
- DIN-rail mount
- Compact footprint
- Quick, easy fuse change

APPLICATIONS:

- 600 volt motors, transformers, lighting, heating, control circuits, general loads
- Non-load disconnect

APPROVALS:

- UL Listed, guide IZLT File E52283
- CSA Certified C22.2, class 6225 01, File 32169
- IEC certified 60269-1, 60947-3



CATALOG NUMBERS

Catalog No. W/O Indicator	Catalog No. W/ Indicator	Description	Fuse Type	Voltage Rating		Ampere Rating	No. of Poles	Certifications
				AC	DC			
US3J1	US3J1I	1-Pole 30A Class J UltraSafe Fuse Holder	Class J	600V	600V	30A	1	UL Listed CSA Approved IEC Certified
US3J2	US3J2I	2-Pole 30A Class J UltraSafe Fuse Holder					2	
US3J3	US3J3I	3-Pole 30A Class J UltraSafe Fuse Holder					3	
US6J1	US6J1I	1-Pole 60A Class J UltraSafe Fuse Holder				60A	1	
US6J2	US6J2I	2-Pole 60A Class J UltraSafe Fuse Holder					2	
US6J3	US6J3I	3-Pole 60A Class J UltraSafe Fuse Holder					3	

CATALOG NUMBERS - ACCESSORIES

Accessories Catalog No.	Description
US3JN	1-Pole Neutral 30A Class J UltraSafe Fuse Holder
US3JPAK	Pin Tie Assembly Kit, 6-Poles, for use with US3J
US6JN	1-Pole Neutral 60A Class J UltraSafe Fuse Holder
US6JPAK	Pin Tie Assembly Kit, 6-Poles, for use with US6J

DIMENSIONS

Dimension	US3J		US6J	
	mm	In	mm	In
A	32.5	1.28	40	1.57
B	65	2.56	80	3.15
C	97.5	3.84	120	4.72
E	114	4.49	122	4.80
F	3	0.12	3	0.12
G	106	4.17	115	4.53
H	80	3.15	89	3.50
I	56	2.20	62	2.44
J	6.5	0.26	6.5	0.26

ADDITIONAL SPECIFICATIONS:

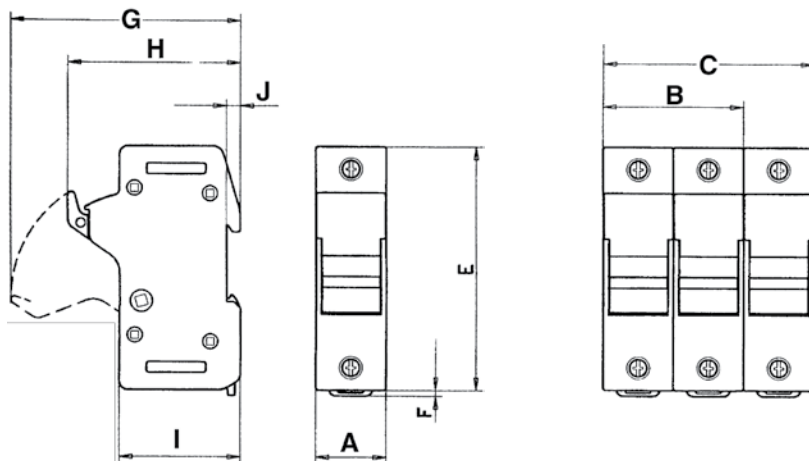
Terminal screws: Phillips/slot head

Suggested screw torque: 30A - 35 in-lbs.
60A - 45 in-lbs.

Connector type: Pressure plate

Wire range: #2 to #14 (solid/stranded Cu)

Load-break disconnect: No



US3J & US6J

UltraSafe™ Class J Fuse Holders

FUSE BLOCKS & HOLDERS

ULTRASAFE™ MODULAR FUSE HOLDERS FOR CLASS J FUSES



Mersen UltraSafe Modular 600 Volt Fuse Holders for Class J fuses introduce a new level of safety and ease for installing or replacing Class J fuses. UltraSafe holders qualify as “finger-safe” to an IP20 grade of protection under IEC standards. The US3J accommodates 30A Class J or 22 x 58 mm French Ferrule* fuses. The US6J is for 60A Class J fuses. UltraSafe holders are available in compact 1, 2, or 3 pole units, with or without blown-fuse indicators in each pole. Multi-pole units can also be made up in the field by using the multiple-pole Assembly Kits. All units have provisions for locking in the open position for safety during fuse changeouts or equipment servicing. US3J and US6J holders can be snap-mounted to 35 mm DIN-rail and they have a unique latch which will stay open to allow re-positioning of the holder in the future. UltraSafe body material is tough and durable polyamide.

**Holder not UL listed when installed with French Ferrule fuses.*

RECOMMENDED FUSE USAGE:

US3J, US6J use with AJT, A4J, HSJ

RATINGS:

- **Volts:** 600VAC/DC
- **Amps:** US3J - 30A Maximum, US6J - 60A Maximum
- **SCCR:** 200kA

*Min. voltage to operate indicator light:
90VAC, 115VDC [Less than 0.7 mA leakage
current at 600V]*

HIGHLIGHTS

- Finger-safe IP20 protection
- Optional indicator lights
- DIN-rail mount
- Compact footprint
- Quick, easy fuse change

APPLICATIONS:

- 600 volt motors, transformers, lighting, heating, control circuits, general loads
- Non-load disconnect

APPROVALS:

- UL Listed, guide IZLT File E52283
- CSA Certified C22.2, class 6225 01, File 32169
- IEC certified 60269-1, 60947-3



CATALOG NUMBERS

Catalog No. W/O Indicator	Catalog No. W/ Indicator	Description	Fuse Type	Voltage Rating		Ampere Rating	No. of Poles	Certifications
				AC	DC			
US3J1	US3J1I	1-Pole 30A Class J UltraSafe Fuse Holder	Class J	600V	600V	30A	1	UL Listed CSA Approved IEC Certified
US3J2	US3J2I	2-Pole 30A Class J UltraSafe Fuse Holder					2	
US3J3	US3J3I	3-Pole 30A Class J UltraSafe Fuse Holder					3	
US6J1	US6J1I	1-Pole 60A Class J UltraSafe Fuse Holder				60A	1	
US6J2	US6J2I	2-Pole 60A Class J UltraSafe Fuse Holder					2	
US6J3	US6J3I	3-Pole 60A Class J UltraSafe Fuse Holder					3	

CATALOG NUMBERS -
ACCESSORIES

Accessories Catalog No.	Description
US3JN	1-Pole Neutral 30A Class J UltraSafe Fuse Holder
US3JPAK	Pin Tie Assembly Kit, 6-Poles, for use with US3J
US6JN	1-Pole Neutral 60A Class J UltraSafe Fuse Holder
US6JPAK	Pin Tie Assembly Kit, 6-Poles, for use with US6J

ADDITIONAL SPECIFICATIONS:

Terminal screws: Phillips/slot head

Suggested screw torque: 30A - 35 in-lbs.
60A - 45 in-lbs.

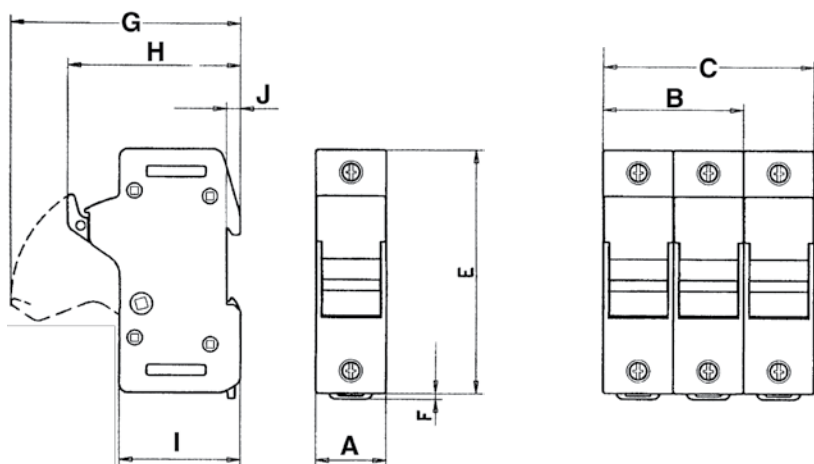
Connector type: Pressure plate

Wire range: #2 to #14 (solid/stranded Cu)

Load-break disconnect: No

DIMENSIONS

Dimension	US3J		US6J	
	mm	In	mm	In
A	32.5	1.28	40	1.57
B	65	2.56	80	3.15
C	97.5	3.84	120	4.72
E	114	4.49	122	4.80
F	3	0.12	3	0.12
G	106	4.17	115	4.53
H	80	3.15	89	3.50
I	56	2.20	62	2.44
J	6.5	0.26	6.5	0.26



Архангельск (8182)63-90-72
Астана (7172)727-132
Астрахань (8512)99-46-04
Барнаул (3852)73-04-60
Белгород (4722)40-23-64
Брянск (4832)59-03-52
Владивосток (423)249-28-31
Волгоград (844)278-03-48
Вологда (8172)26-41-59
Воронеж (473)204-51-73
Екатеринбург (343)384-55-89
Иваново (4932)77-34-06

Ижевск (3412)26-03-58
Иркутск (395)279-98-46
Казань (843)206-01-48
Калининград (4012)72-03-81
Калуга (4842)92-23-67
Кемерово (3842)65-04-62
Киров (8332)68-02-04
Краснодар (861)203-40-90
Красноярск (391)204-63-61
Курск (4712)77-13-04
Липецк (4742)52-20-81

Магнитогорск (3519)55-03-13
Москва (495)268-04-70
Мурманск (8152)59-64-93
Набережные Челны (8552)20-53-41
Новокузнецк (3843)20-46-81
Новосибирск (383)227-86-73
Омск (3812)21-46-40
Орел (4862)44-53-42
Оренбург (3532)37-68-04
Пенза (8412)22-31-16

Пермь (342)205-81-47
Ростов-на-Дону (863)308-18-15
Рязань (4912)46-61-64
Самара (846)206-03-16
Санкт-Петербург (812)309-46-40
Саратов (845)249-38-78
Севастополь (8692)22-31-93
Симферополь (3652)67-13-56
Смоленск (4812)29-41-54
Сочи (862)225-72-31
Ставрополь (8652)20-65-13

Сургут (3462)77-98-35
Тверь (4822)63-31-35
Томск (3822)98-41-53
Тула (4872)74-02-29
Тюмень (3452)66-21-18
Ульяновск (8422)24-23-59
Уфа (347)229-48-12
Хабаровск (4212)92-98-04
Челябинск (351)202-03-61
Череповец (8202)49-02-64
Ярославль (4852)69-52-93

Киргизия (996)312-96-26-47

Россия (495)268-04-70

Казахстан (772)734-952-31